

Dot laser, red, 650 nm, 1 mW

DG650-1-3(7x14)-ADJ
Order Number: 70116007

Main Parameters (*)	min	typ	max	Unit
Wavelength		650		nm
Optical Output Power		1		mW
Operating Voltage	2.7	3	3.3	V DC
Operating Current	10	20	30	mA
Operating Temperature	-20		50	°C
Storage Temperature	-40		80	°C

Main Data

Warranty 1 years

Technical Parameters

Lifetime > 5,000 h
RoHS yes

Optical Parameters

Beam Shape Dot
Laser Class 2
Divergence G - 0.8 mrad
Size of Laserdot adjustable
Operating Distance 10 m
Optics acryl lense
Laser technology diode
Focus adjustable

Electrical Parameters

Potential of Housing VDD(+)
Power Supply LFNT-3

Mechanical Parameters

Size Ø7x14 mm
Material Brass
Cable length 100 mm
Wire type 26AWG, 0,14mm²
Output Aperture 2.5 mm
Housing Color brass
Weight 1.5 g
Stripping of wire 5 mm

(*) Over the complete operating temperature range

Features




- Operating Voltage 3 V DC
- Laser Class 2
- Compact size
- Adjustable focus
- Low cost

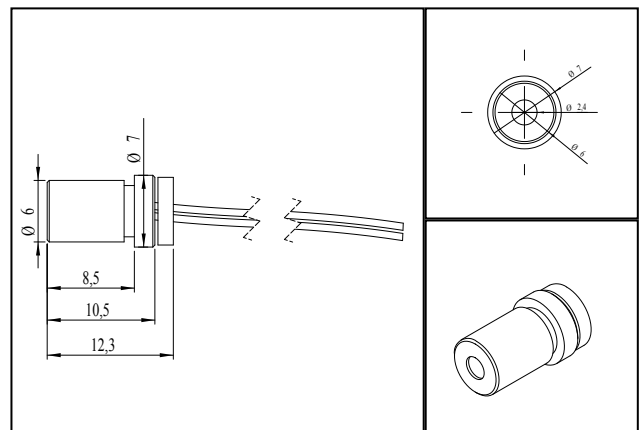
Picture



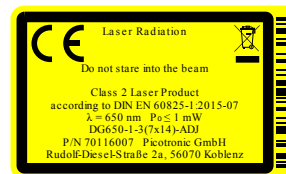
Cable color

Ground		blue	GND
Positive		red	2.7 - 3.3, typ 3 V DC

Drawing



Safety Label



Valid Revision

6 | 06-SEP-2023