

Dot laser, blue, 405 nm, 1 mW

DD405-1-3(14x45)
Order Number: 70115505

Main Parameters (*)	min	typ	max	Unit
Wavelength		405		nm
Optical Output Power		1		mW
Operating Voltage	2.7	3	3.3	V DC
Operating Current	30	60	90	mA
Operating Temperature	0		50	°C
Storage Temperature	-40		80	°C

Main Data

Warranty 1 years

Technical Parameters

Lifetime > 5,000 h
RoHS yes

Optical Parameters

Beam Shape Dot
Laser Class 2
Divergence D - 0.5 mrad
Size of Laserdot adjustable
Operating Distance 10 m
Optics glass lens AR coated
Laser technology diode
Focus adjustable

Electrical Parameters

Potential of Housing isolated
Power Supply LFNT-3

Mechanical Parameters

Size Ø14x45 mm
Material aluminium
Cable length 100 mm
Wire type 26AWG, 0,14mm²
Output Aperture 5 mm
Weight 16 g

(*) Over the complete operating temperature range

Features





- Blue Lasermodule
- Operating Voltage 3 V DC
- Glas lenses anti reflex coated
- Laser Class 2
- Adjustable focus

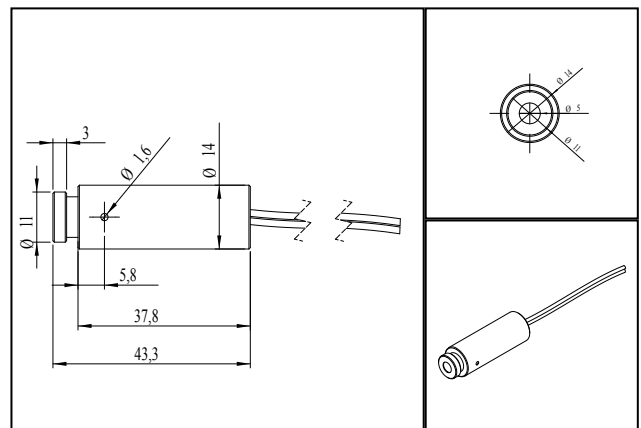
Picture



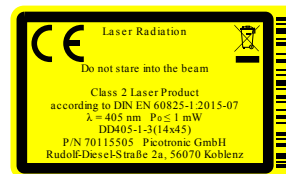
Cable color

Ground		black	GND
Positive		red	2.7 - 3.3, typ 3 V DC

Drawing



Safety Label



Valid Revision

4 | 05-MAY-2022