

Dot laser, red, 635 nm, 0.4 mW

DI635-0.4-5(8x21)-AP
Order Number: 70114157

Main Parameters (*)	min	typ	max	Unit
Wavelength		635		nm
Optical Output Power		0.4		mW
Operating Voltage	4.5	5	5.5	V DC
Operating Current	15	28	45	mA
Operating Temperature	-20		50	°C
Storage Temperature	-40		80	°C

Main Data

Warranty 1 years

Technical Parameters

Lifetime > 5,000 h
RoHS yes

Optical Parameters

Beam Shape Dot
Laser Class 1
Divergence 1 - 1.5 mrad
Beam Diameter 2 mm
Size of Laserdot <3..5mm@5m
Operating Distance 10 m
Optics glass lens AR coated
Laser technology Single Mode Diode
Axial Divergence $\pm 0.1^\circ$
Focus collimated

Electrical Parameters

Power Supply LFNT-5

Mechanical Parameters

Size $\varnothing 8 \times 21$ mm
Material aluminium
Cable length 100 mm
Wire type 26AWG, 0,14mm²
Output Aperture 2 mm
Housing Color silver
Weight 3 g
Stripping of wire 5 mm

(*) Over the complete operating temperature range

Features




- Axial parallel
- Glas lenses anti reflex coated
- Compact size
- Laser Class 1
- Operating Voltage 5 V DC

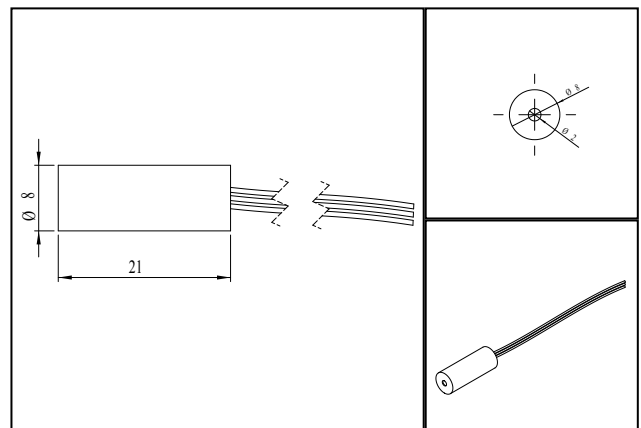
Picture



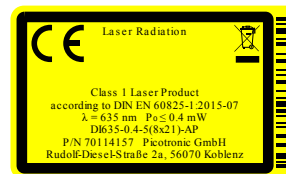
Cable color

Ground		blue	GND
Positive		red	4.5 - 5.5, typ 5 V DC

Drawing



Safety Label



Valid Revision

7 | 05-MAY-2023