

Dot laser, red, 650 nm, 1 mW

DI650-1-5(8x21)-AP
Order Number: 70109979

Main Parameters (*)	min	typ	max	Unit
Wavelength		650		nm
Optical Output Power		1		mW
Operating Voltage	4.5	5	5.5	V DC
Operating Current	15	23	40	mA
Operating Temperature	-20		50	°C
Storage Temperature	-40		80	°C

Main Data

Warranty 1 years

Technical Parameters

Lifetime	> 5,000 h
RoHS	yes

Optical Parameters

Beam Shape	Dot
Laser Class	2
Divergence	1 - 1.5 mrad
Beam Diameter	2 mm
Size of Laserdot	<2..3mm@5m
Operating Distance	10 m
Optics	glass lens AR coated
Laser technology	Single Mode Diode
Axial Divergence	$\pm 0.1^\circ$
Focus	collimated

Electrical Parameters

Potential of Housing	isolated
Power Supply	LFNT-5

Mechanical Parameters

Size	Ø8x21 mm
Material	aluminium
Cable length	100 mm
Wire type	26AWG, 0,14mm ²
Output Aperture	2.5 mm
Housing Color	silver
Weight	3 g
Stripping of wire	5 mm

(*) Over the complete operating temperature range

Features



- Axial parallel
- Low power consumption
- Compact size
- Laser Class 2
- Operating Voltage 5 V DC

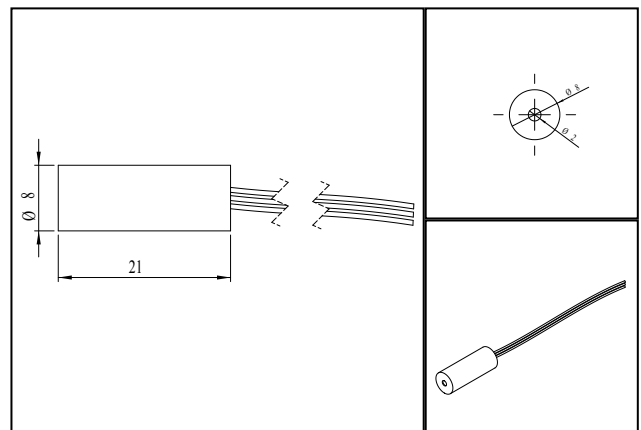
Picture



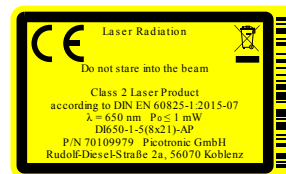
Cable color

Ground		black	GND
Positive		red	4.5 - 5.5, typ 5 V DC

Drawing



Safety Label



Valid Revision

9 | 31-AUG-2022