

Line laser, red, 650 nm, 90 °, 5 mW

LE650-5-3-F-S(22x100)90
Order Number: 70109634

Main Parameters (*)	min	typ	max	Unit
Wavelength		650		nm
Optical Output Power		5		mW
Operating Voltage	2.7	3	3.3	V DC
Operating Current	15	30	45	mA
Operating Temperature	-20		50	°C
Storage Temperature	-40		80	°C

Main Data

Warranty 1 years

Technical Parameters

Lifetime > 10,000 h
RoHS yes

Optical Parameters

Beam Shape	Line
Laser Class	1
Divergence	E - 0.6 mrad
Fan Angle	90 °
Line Thickness	adjustable
Operating Distance	3 m
Optics	glass lens AR coated
Laser technology	Single Mode Diode
Focus	adjustable

Electrical Parameters

Potential of Housing VDD(+)

Mechanical Parameters

Size	Ø22x100 mm
Material	aluminium
Output Aperture	4.5 mm
Housing Color	black
Weight	77.7 g

(*) Over the complete operating temperature range

Features

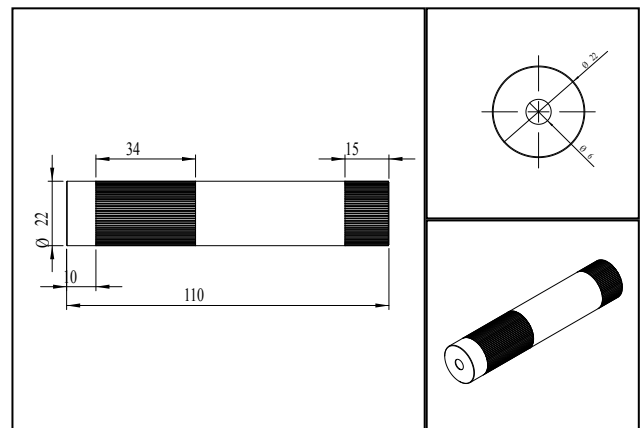


- Operating Voltage 3 V DC
- Laser Class 1
- Adjustable focus
- Low power consumption
- With battery

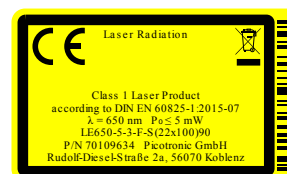
Picture



Drawing



Safety Label



Valid Revision

8 | 26-APR-2023