

Cross laser, red, 650 nm, 45 °, 5 mW

LFC650-5-4.5(15x67)45
Order Number: 70108552

Main Parameters (*)	min	typ	max	Unit
Wavelength		650		nm
Optical Diode Power		5		mW
Operating Voltage	2.7	3	4.5	V DC
Operating Current	10	20	30	mA
Operating Temperature	-20		40	°C
Storage Temperature	-40		80	°C

Main Data

Warranty 1 years

Technical Parameters

Lifetime > 3,000 h
RoHS yes

Optical Parameters

Beam Shape	Cross
Laser Class	1
Divergence	H - 1.0 mrad
Fan Angle	45 °
Line Thickness	<1.2mm@1m
Operating Distance	1 m
Optics	acryl lense
Laser technology	diode
Focus	fixed (1000mm)
Verticality	< ± 1 °

Electrical Parameters

Potential of Housing VDD(+)

Mechanical Parameters

Size	Ø15x67 mm
Material	aluminium
Output Aperture	6 mm
Housing Color	black
Weight	25 g

(*) Over the complete operating temperature range

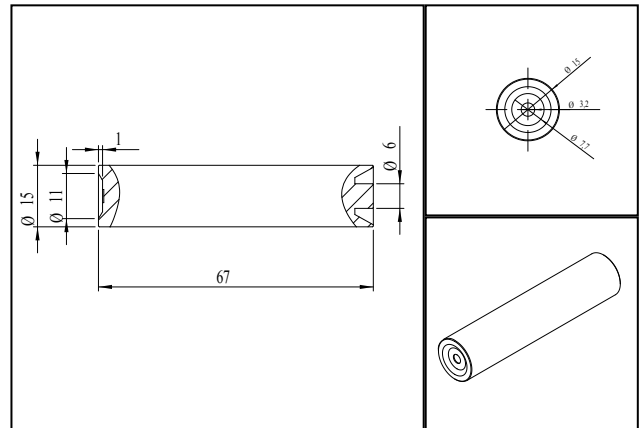
Features

- With battery
- Laser Class 1
- Compact size
- Operating Voltage 3 V DC
- Low cost

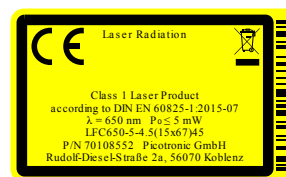
Picture



Drawing



Safety Label



Valid Revision

14 | 24-MAR-2023