

Line laser, red, 635 nm, 42 °, 5 mW

LI635-5-3(8x26)42-F1500
Order Number: 70107593

| Main Parameters (*) | min | typ | max | Unit |
|-----------------------|------|-----|-----|------|
| Wavelength | | 635 | | nm |
| Optical Output Power | | 5 | | mW |
| Operating Voltage | 2.85 | 3 | 3.3 | V DC |
| Operating Current | 30 | 55 | 85 | mA |
| Operating Temperature | -20 | | 50 | °C |
| Storage Temperature | -40 | | 80 | °C |

Main Data

Warranty 1 years

Technical Parameters

Lifetime > 10,000 h
RoHS yes

Optical Parameters

Beam Shape Line
Laser Class 1
Divergence 1 - 1.5 mrad
Fan Angle 42 °
Line Thickness <1.5mm@1.5m
Operating Distance 1.5 m
Optics glass lens AR coated
Laser technology diode
Focus fixed (1500mm)

Electrical Parameters

Potential of Housing isolated
Power Supply LFNT-3

Mechanical Parameters

Size Ø8x26 mm
Material aluminium
Cable length 100 mm
Output Aperture 3 mm
Weight 4 g

(*) Over the complete operating temperature range

Features





- Fan angle 42 °
- Laser Class 1
- Operating Voltage 3 V DC
- Uniform line thickness
- Image processing

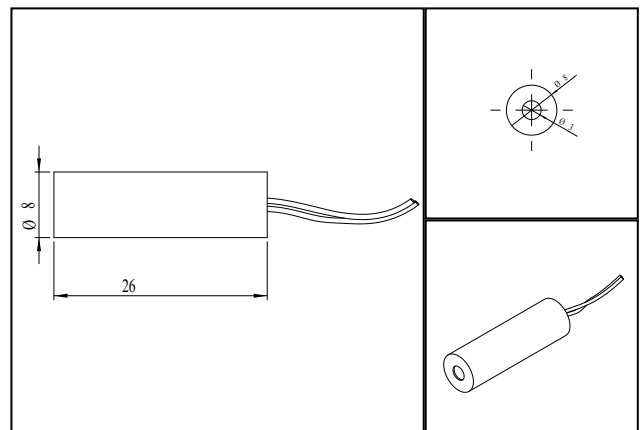
Picture



Cable color

| | | | |
|----------|--|------|------------------------|
| Ground |  | blue | GND |
| Positive |  | red | 2.85 - 3.3, typ 3 V DC |

Drawing



Safety Label



Valid Revision

17 | 11-FEB-2021