

### Dot laser, green, 532 nm, 1 mW

LFD532-1-3(16x90)-NT  
Order Number: 70107548

Main Parameters (*)	min	typ	max	Unit
Wavelength		532		nm
Optical Output Power		1		mW
Operating Voltage	2.7	3	3.3	V DC
Operating Current	125	250	375	mA
Operating Temperature	15		30	°C
Storage Temperature	-40		80	°C

#### Main Data

Warranty 1 years

#### Technical Parameters

Lifetime > 3,000 h  
RoHS yes

#### Optical Parameters

Beam Shape Dot  
Laser Class 2  
Divergence D - 0.5 mrad  
Beam Diameter 3 mm  
Size of Laserdot <3.5mm@10m  
Optics glass lens AR coated  
Beam Mode TEM00  
Laser technology YVO4+KTP  
Stability +/- 20% @ 15-30°C  
Focus collimated  
Warm up time < 15 min

#### Electrical Parameters

Potential of Housing VDD(+)  
Connector 2.5 mm DC plug (GND pole inner)  
Power Supply LFNT-3-C

#### Mechanical Parameters

Size Ø16x90 mm  
Material Brass

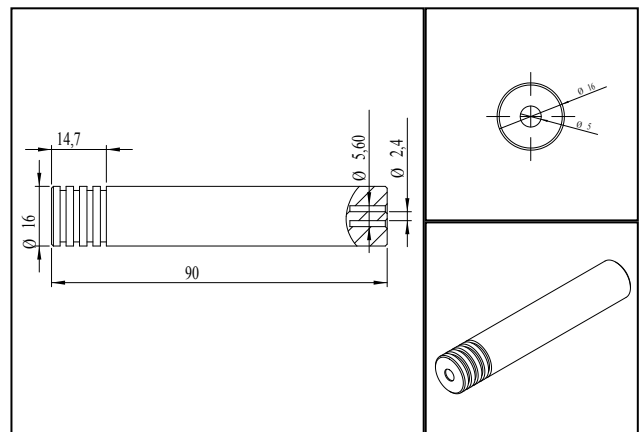
Cable length	1,650 mm
Output Aperture	3.5 mm
Weight	100 g

(\*) Over the complete operating temperature range

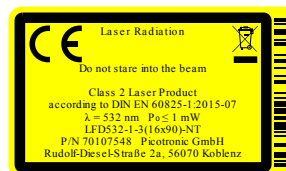
#### Picture



#### Drawing



#### Safety Label



#### Valid Revision

0 | 05-MAY-2022