

Dot laser, red, 635 nm, 1 mW

DD635-1-5(12x25)15mmat1000mm
Order Number: 70106596

Main Parameters (*)	min	typ	max	Unit
Wavelength		635		nm
Optical Output Power		1		mW
Operating Voltage	4.5	5	5.5	V DC
Operating Current	15	25	40	mA
Operating Temperature	-20		50	°C
Storage Temperature	-40		80	°C

Main Data

Warranty 1 years

Technical Parameters

Lifetime	> 5,000 h
RoHS	yes

Optical Parameters

Beam Shape	Dot
Laser Class	2
Divergence	D - 0.5 mrad
Beam Diameter	5 mm
Size of Laserdot	<15mm@1m
Operating Distance	1 m
Optics	glass lens AR coated
Laser technology	Single Mode Diode
Focus	fixed (1000mm)

Electrical Parameters

Potential of Housing	isolated
Power Supply	LFNT-5

Mechanical Parameters

Size	Ø12x25 mm
Material	aluminium
Cable length	100 mm
Wire type	Belden, Typ 1007, 26AWG
Output Aperture	5 mm
Housing Color	black
Weight	7 g
Stripping of wire	5 mm

(*) Over the complete operating temperature range

Features



- Laser Class 2
- Operating Voltage 5 V DC
- Compact size
- For light barrier
- Fixed focus

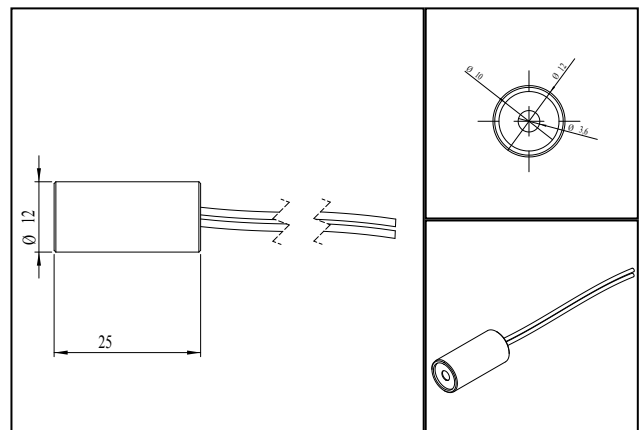
Picture



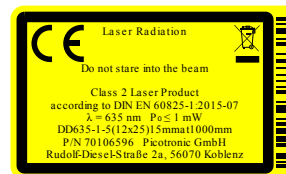
Cable color

Ground		black	GND
Positive		red	4.5 - 5.5, typ 5 V DC

Drawing



Safety Label



Valid Revision

5 | 28-JUN-2022