

Dot laser, red, 650 nm, 1 mW

LFD650-1-4.5(15x67)
Order Number: 70105643

| Main Parameters (*) | min | typ | max | Unit |
|-----------------------|-----|-----|-----|------|
| Wavelength | | 650 | | nm |
| Optical Diode Power | | 1 | | mW |
| Operating Voltage | 3 | | 4.5 | V DC |
| Operating Current | 10 | 20 | 30 | mA |
| Operating Temperature | -20 | | 40 | °C |
| Storage Temperature | -40 | | 80 | °C |

Main Data

Warranty 1 years

Technical Parameters

Lifetime > 3,000 h
RoHS yes

Optical Parameters

| | |
|--------------------|--------------|
| Beam Shape | Dot |
| Laser Class | 2 |
| Divergence | H - 1.0 mrad |
| Beam Diameter | 3 mm |
| Size of Laserdot | <4..6mm@5m |
| Operating Distance | 10 m |
| Optics | acryl lense |
| Laser technology | diode |
| Focus | collimated |

Electrical Parameters

Potential of Housing VDD(+)

Mechanical Parameters

| | |
|-----------------|-----------|
| Size | Ø15x67 mm |
| Material | aluminium |
| Output Aperture | 3 mm |
| Housing Color | black |
| Weight | 27 g |

(*) Over the complete operating temperature range

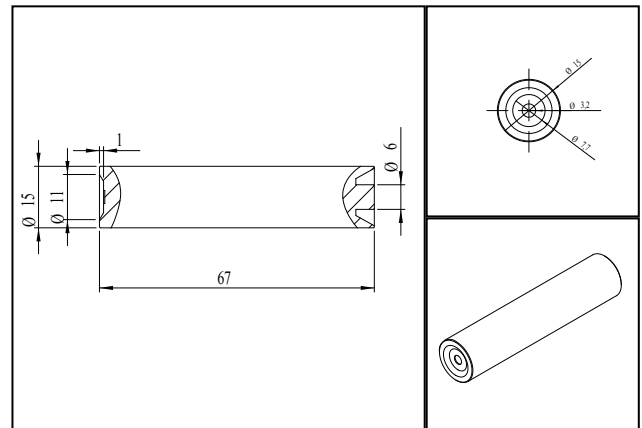
Features

- Compact size
- Laser Class 2
- Low cost
- Low power consumption
- With battery

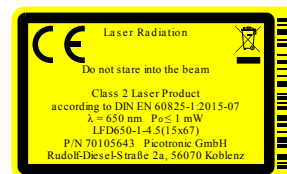
Picture



Drawing



Safety Label



Valid Revision

15 | 07-AUG-2023