

### Cross laser, red, 650 nm, 45°, 5 mW

LFC650-5-12(9x20)45  
Order Number: 70104004

Main Parameters (*)	min	typ	max	Unit
Wavelength		650		nm
Optical Diode Power	2	5	5	mW
Operating Voltage	3	3	12	V DC
Operating Current	10	20	30	mA
Operating Temperature	-20		40	°C
Storage Temperature	-40		80	°C

#### Main Data

Warranty 1 years

#### Technical Parameters

Lifetime > 3,000 h  
RoHS yes

#### Optical Parameters

Beam Shape	Cross
Laser Class	1
Divergence	H - 1.0 mrad
Fan Angle	45°
Line Thickness	<1.2mm@1m
Operating Distance	1 m
Optics	acryl lense
Laser technology	diode
Focus	fixed (1000mm)
Verticality	< ± 1°

#### Electrical Parameters

Power Supply LFNT-3

#### Mechanical Parameters



Size	Ø9x20 mm
Material	Brass
Cable length	100 mm
Wire type	26AWG, 0,14mm <sup>2</sup>
Output Aperture	6 mm
Weight	6 g

(\*) Over the complete operating temperature range

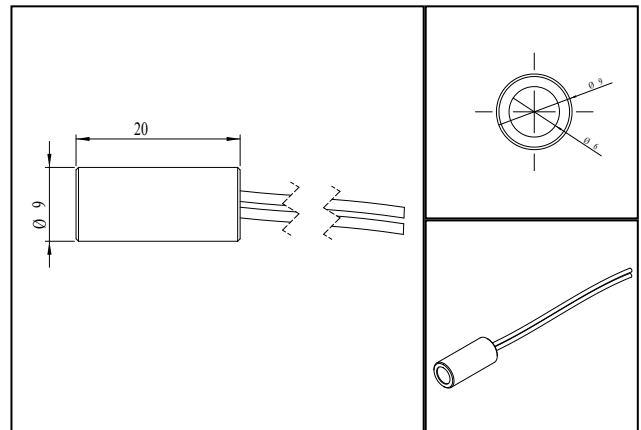
#### Picture



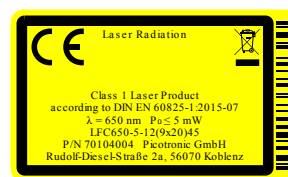
#### Cable color

Ground		black	GND
Positive		red	3 - 12, typ 3 V DC

#### Drawing



#### Safety Label



#### Valid Revision

21 | 09-FEB-2023