

## Line laser, red, 635 nm, 45 °, 2.5 mW

LI635-2.5-3(8x26)45DEG  
Order Number: 70103977

Main Parameters (*)	min	typ	max	Unit
Wavelength		635		nm
Optical Output Power		2.5		mW
Operating Voltage	2.7	3	3.3	V DC
Operating Current	20	35	60	mA
Operating Temperature	-20		50	°C
Storage Temperature	-40		80	°C

### Main Data

Warranty 1 years

### Technical Parameters

Lifetime > 5,000 h  
RoHS yes

### Optical Parameters

Beam Shape Line  
Laser Class 1  
Divergence 1 - 1.5 mrad  
Fan Angle 45 °  
Line Thickness <1.5mm@2m  
Operating Distance 2 m  
Optics glass lens AR coated  
Laser technology Single Mode Diode  
Focus fixed (2000mm)

### Electrical Parameters

Potential of Housing isolated  
Power Supply LFNT-3

### Mechanical Parameters

Size Ø8x26 mm  
Material aluminium  
Cable length 100 mm  
Wire type 26AWG, 0,14mm<sup>2</sup>  
Output Aperture 3 mm  
Housing Color black  
Weight 3.5 g  
Stripping of wire 5 mm

(\*) Over the complete operating temperature range

### Features




- Operating Voltage 3 V DC
- Laser Class 1
- Fan angle 45 °
- Fixed focus
- Compact size

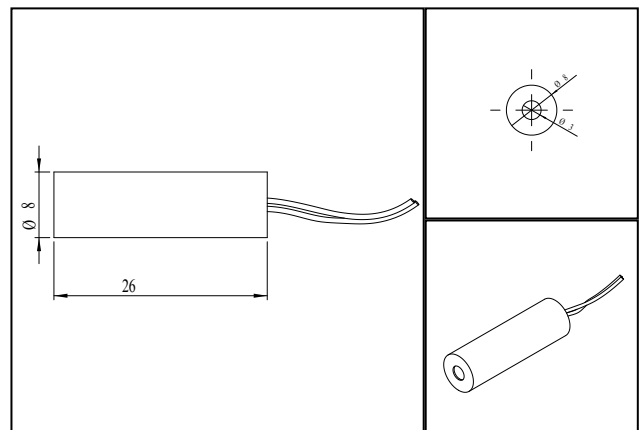
### Picture



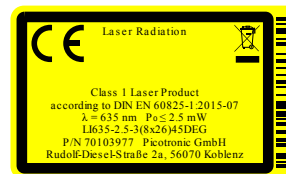
### Cable color

Ground		blue	GND
Positive		red	2.7 - 3.3, typ 3 V DC

### Drawing



### Safety Label



### Valid Revision

6 | 26-APR-2023