

Dot laser, red, 650 nm, 1 mW

LFD650-1-3(8x23)
Order Number: 70103861

- Laser Class 2
- Fixed focus
- Low cost
- Compact size

Main Parameters (*)	min	typ	max	Unit
Wavelength		650		nm
Optical Diode Power		1		mW
Operating Voltage	2.6	3	3.3	V DC
Operating Current	10	15	25	mA
Operating Temperature	-20		40	°C
Storage Temperature	-40		80	°C

Main Data

Warranty 1 years

Technical Parameters

Lifetime > 3,000 h
RoHS yes

Optical Parameters

Beam Shape Dot
Laser Class 2
Divergence G - 0.8 mrad
Beam Diameter 3.5 mm
Size of Laserdot <4.6mm@5m
Operating Distance 10 m
Optics acryl lense
Laser technology diode
Focus collimated

Electrical Parameters

Potential of Housing VDD(+)
Power Supply LFNT-3

Mechanical Parameters

Size Ø8x23 mm
Material Brass
Cable length 100 mm
Wire type 26AWG, 0,14mm²
Output Aperture 3.5 mm
Weight 3.5 g

(*) Over the complete operating temperature range

Features

- Operating Voltage 3 V DC

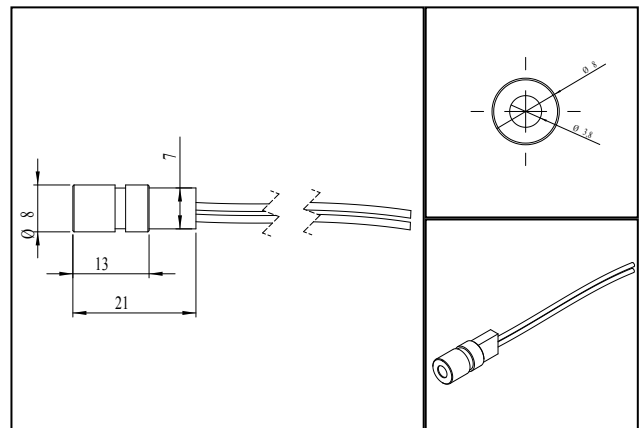
Picture



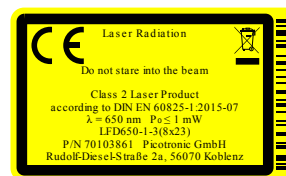
Cable color

Ground		white	GND
Positive		red	2.6 - 3.3, typ 3 V DC

Drawing



Safety Label



Valid Revision

1 | 11-MAY-2022