

MOSA M12 MALE 90° FIELD-WIREABLE (IDC)4-pol. 0.25...0.5mm²

Male 90°

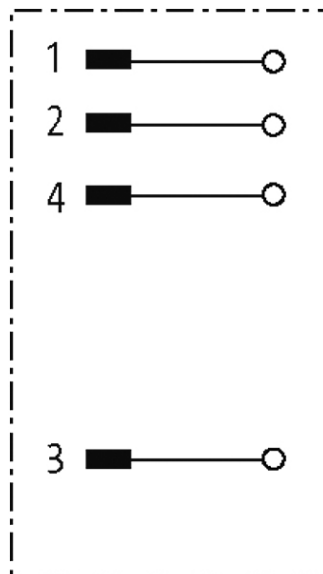
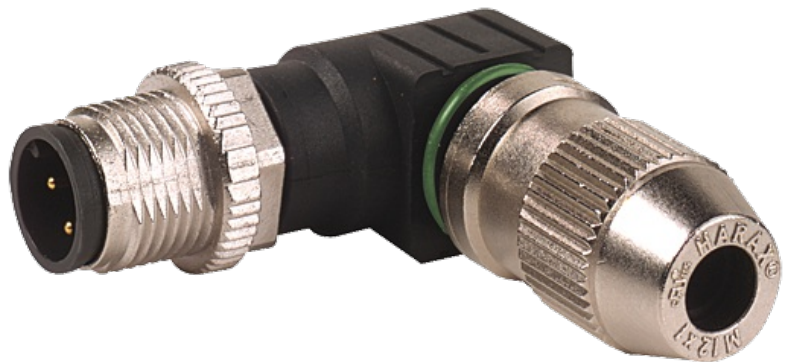
M12, 4-pole

Insulation displacement technology IDC

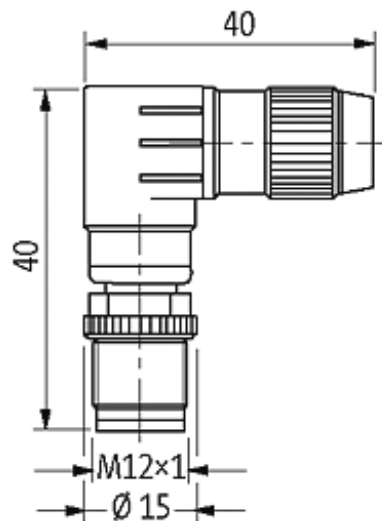
Connection cross section: 0.25...0.5 mm²

Art.-No. 7005 - M12 Lite - (plastic hexagonal screw) on request

The resistance to aggressive media should be individually tested for your application.
Further details on request.

[Link to Product](#)**Illustration**

Male



Product may differ from Image

Approvals



Form

Form 12561

Technical Data

Operating voltage	max. 32 V AC/DC
Operating current per contact	max. 4 A
Connection cross section	0.25...0.5 mm ² (conductor diameter min. 0.1 mm)
Sealing range (cable Ø)	4...5.1 mm
Wire isolation	PVC, PP, TPE
Outer wire Ø	1.2...1.6 mm

The information in this brochure has been compiled with the utmost care.

Liability for the correctness completeness and topicality of the information is restricted to gross negligence. Version: 05/17

Murrelektronik GmbH | Falkenstraße 3 | 71570 Oppenweiler | Fon +49 (71 91) 47-0 | Fax +49 (71 91) 47-491000 | shop@murrelektronik.com | shop.murrelektronik.com

Locking of ports	Screw thread M12 × 1 mm (recommended torque 0.6 Nm) self-securing
------------------	---

Protection	IP67 inserted and tightened (EN 60529)
------------	--

General data

Temperature range	-25...+85 °C
-------------------	--------------

Dimensions H × W × D	40×40×15 mm
----------------------	-------------

Commercial data

country of origin	DE
-------------------	----

customs tariff number	85366990
-----------------------	----------

EAN	4048879201773
-----	---------------

eClass	27279221
--------	----------

minimum order quantity	1
------------------------	---