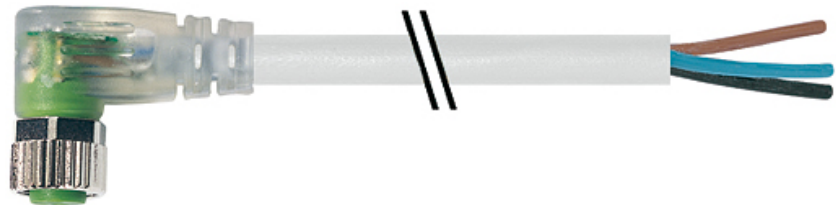


**M8 female connector 90° with cable PUR-OB 3x0,25 grey 10m**

Female 90°  
3-pole with 2 × LED (PNP)

**Image**

Vicarious picture

**Approvals****Express shipments****Form**

08121

**Technical Data**

Protection	IP65 and IP67 when plugged and screwed down (EN 60529)
Operating voltage	24 V DC ±25 %
Operating current per contact (40 °C)	max. 4 A
Locking of ports	Screw thread M8 × 1 mm (recommended torque = 0.4 Nm) self-securing
Temperature range	-25...+85 °C, depending on cable quality

All data on this data sheet was compiled carefully.

Liability regarding correctness, completeness, and actuality is limited to gross negligence. Created: 01/13

**Cable**

No./diameter of wires	3 × 0.25 mm <sup>2</sup>
Wire isolation	PVC (br, bl, bk)
C-track properties	2 Mio.
Jacket	PUR/PVC
Outer diameter	approx. 4.5 mm
Bend radius (mobile)	15 × outer diameter
Temperature range (fixed)	-30...+80 °C
Temperature range (mobile)	-5...+80 °C

**Commercial data**

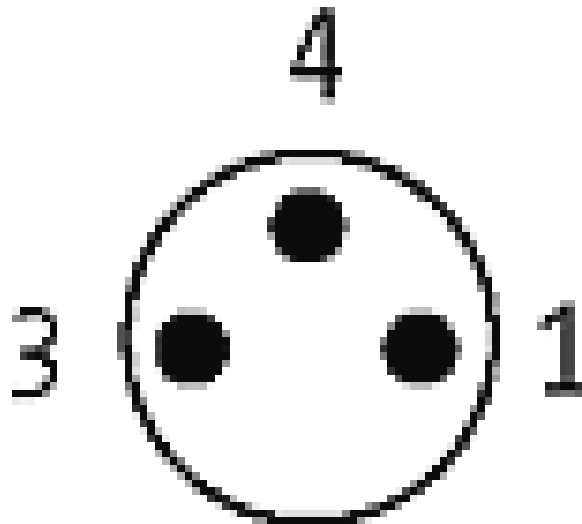
Net weight	238
Weight unit	gram
Basic unit	pc.
Customs tariff number	85444290
Unit (piece)	1
Limited value	1

**Comments**

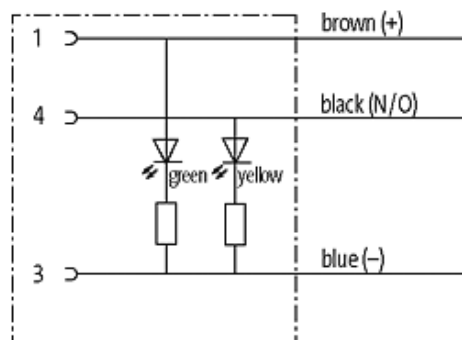
Plastic housings with good resistance against chemicals and oils.  
The resistance to aggressive media should be individually tested for your application. Further details on request.  
Further cable lengths on request.

## Contact layout

# Female



## Circuit diagram



Dimension drawing

