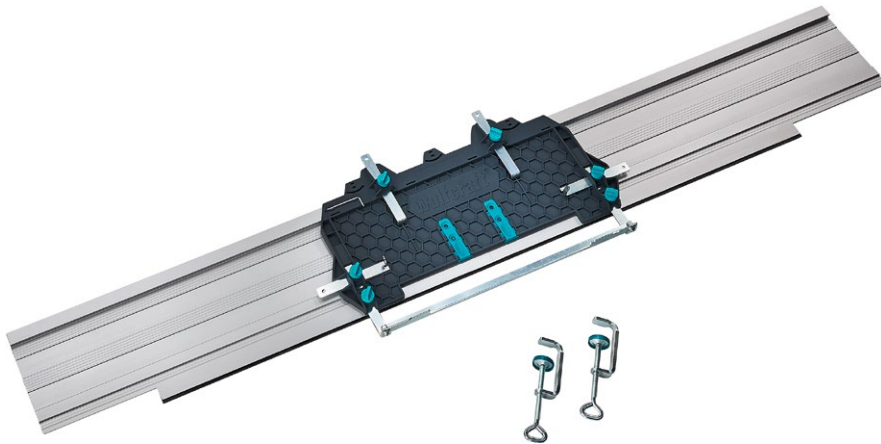


# Guide Rail FKS 145 for Circular Hand Saws



## Guide system for circular hand saws



## Properties

- Rail with an overall length of 145 cm for cuts up to 110 cm, separable for cuts up to 55 cm and space-saving storage
- with continuous stop rail and extra-long limit stops for mains-operated and cordless circular hand saws – including with small base plate
- plastic carriage with honeycomb structure and three adjustment screws for optimum stability and easy adjustment
- alignment aid for parallel alignment of the circular hand saw and the guide rail without the need to measure
- rubber lip reduces skips and marks the cutting edge for precise results
- notches in the rail automatically open and close the circular hand saw's safety guard as it moves over them for maximum safety
- high-quality aluminium design for durability
- the two clamps hold the rail securely on the workpiece

## Technical data

Dimensions of rail                      190 x 1.450 x 12 mm

## Scope of delivery

1 Guide Rail FKS 145  
2 clamps  
1 Allen key A/F 2.5

# Guide Rail FKS 145 for Circular Hand Saws




## Accessories

6897000, 6914000

## Compatible with tool

Circular Handsaw

Article number	Contents	EAN-Code
6913000	1	 4 006885 691308 4006885691308