

Data Sheet

Cigarette Lighter with screw thread black, 12 Volt

Item-No. 68031200 (BP)

Item-No. 68131200 (SP)

15.04.2016

Input Voltage:	12 Volt
Charging Rate:	max. 10 Amp
Terminals:	6.3 mm flat plug
Circuit Protection:	flat fuse (according to DIN 72581-C15)
Tripping time of the heating element:	14 ± 4 s (bei 18 to 28 °C in ambient temperature)
Temperature:	800 – 1200 °C (immediately after triggering)

Material:

Knob:	PA6-GB30
Heating Element:	CuZn37
Socket:	kompl. Metallsteckdose
Screw thread:	Polycarbonate, black
Nut:	Polycarbonate, black

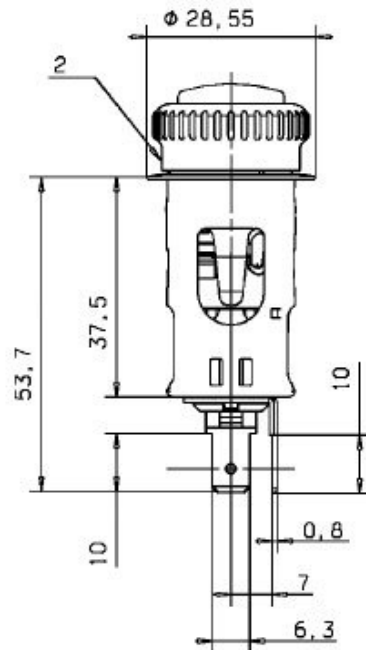
Data Sheet

Cigarette Lighter with screw thread black, 12 Volt

Item-No. 68031200 (BP)

Item-No. 68131200 (SP)

15.04.2016



Falls Armaturen Brett aus
Kunststoff: Härte (=>79) Shore D
nach DIN 53 505
IF PANEL MADE OF SYNTHETIC MATERIAL:
HARDNESS (=>79) SHORE D IN ACCORDANCE
WITH DIN 53 505

