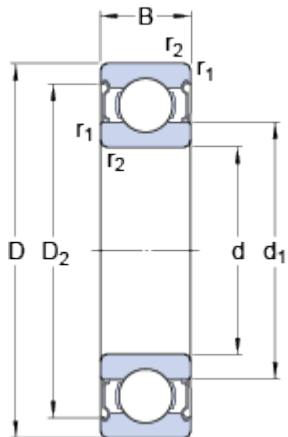


6213 - 2 Z

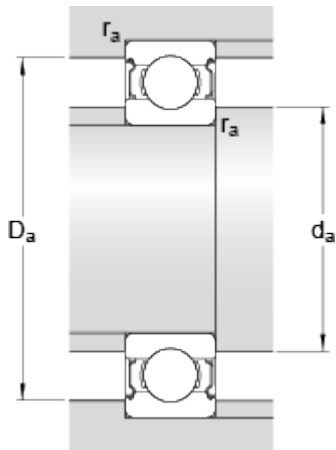
SKF Explorer

Dimensions



d	65	mm
D	120	mm
B	23	mm
d ₁	≈ 83.3	mm
D ₂	≈ 105.8	mm
r _{1,2}	min. 1.5	mm

Abutment dimensions



d _a	min. 74	mm
d _a	max. 83.2	mm
D _a	max. 111	mm
r _a	max. 1.5	mm

Calculation data

Basic dynamic load rating	C	58.5	kN
Basic static load rating	C ₀	40.5	kN
Fatigue load limit	P _u	1.73	kN
Reference speed		12000	r/min
Limiting speed		6000	r/min
Calculation factor	k _r	0.025	
Calculation factor	f ₀	14.7	

Mass

Mass bearing	1.06	kg
--------------	-------------	----

