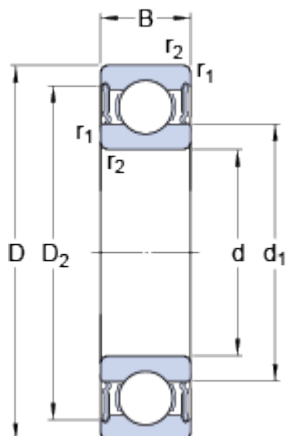


6212 - 2 RS 1

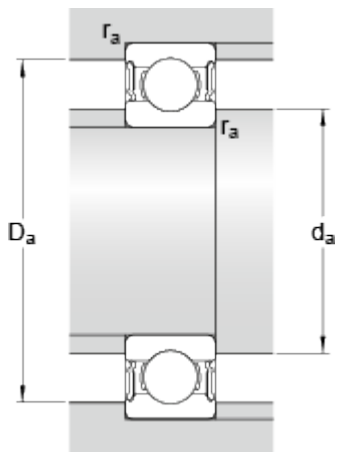
SKF Explorer

Dimensions



d	60	mm
D	110	mm
B	22	mm
d ₁	≈ 75.5	mm
D ₂	≈ 98	mm
r _{1,2}	min. 1.5	mm

Abutment dimensions



d _a	min. 69	mm
d _a	max. 75.4	mm
D _a	max. 101	mm
r _a	max. 1.5	mm

Calculation data

Basic dynamic load rating	C	55.3	kN
Basic static load rating	C ₀	36	kN
Fatigue load limit	P _u	1.53	kN
Limiting speed		4000	r/min
Calculation factor	k _r	0.025	
Calculation factor	f ₀	14.3	

Mass

Mass bearing		0.82	kg
--------------	--	-------------	----

