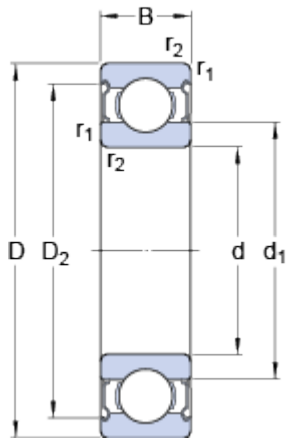


6210 - 2 Z

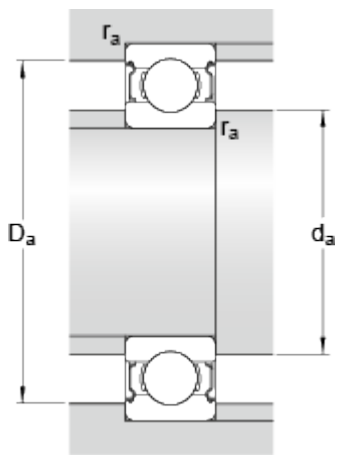
SKF Explorer

Dimensions



d	50	mm
D	90	mm
B	20	mm
d ₁	≈ 62.51	mm
D ₂	≈ 81.61	mm

Abutment dimensions



d _a	min. 57	mm
d _a	max. 62.4	mm
D _a	max. 83	mm
r _a	max. 1	mm

Calculation data

Basic dynamic load rating	C	37.1	kN
Basic static load rating	C ₀	23.2	kN
Fatigue load limit	P _u	0.98	kN
Reference speed		15000	r/min
Limiting speed		8000	r/min
Calculation factor	k _r	0.025	
Calculation factor	f ₀	14.4	

Mass

Mass bearing		0.47	kg
--------------	--	-------------	----