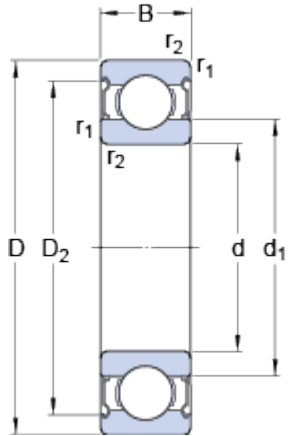


6201 - 2 Z

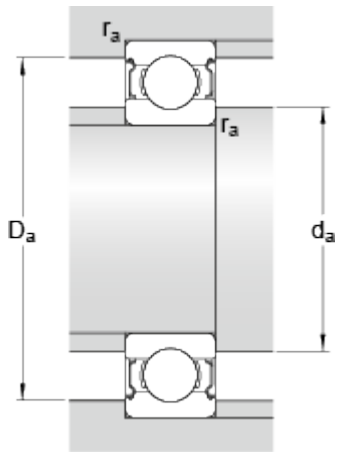
SKF Explorer

Dimensions



d	12	mm
D	32	mm
B	10	mm
d ₁	≈ 18.45	mm
D ₂	≈ 27.34	mm
r _{1,2}	min. 0.6	mm

Abutment dimensions



d _a	min. 16.2	mm
d _a	max. 18.4	mm
D _a	max. 27.8	mm
r _a	max. 0.6	mm

Calculation data

Basic dynamic load rating	C	7.28	kN
Basic static load rating	C ₀	3.1	kN
Fatigue load limit	P _u	0.132	kN
Reference speed		50000	r/min
Limiting speed		26000	r/min
Calculation factor	k _r	0.025	
Calculation factor	f ₀	12	

Mass

Mass bearing	0.039	kg
--------------	--------------	----

