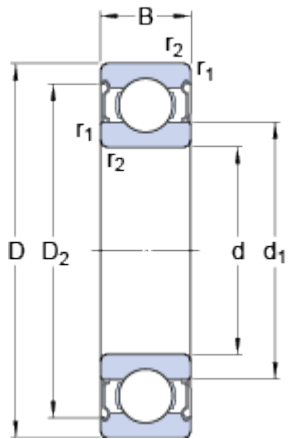


6200 - 2 Z

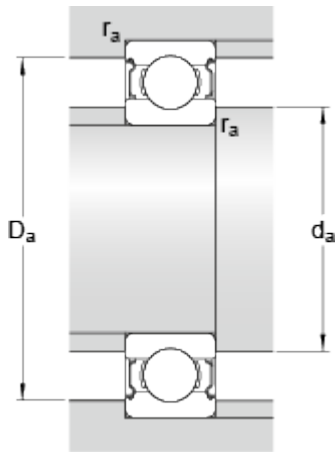
SKF Explorer

Dimensions



d	10	mm
D	30	mm
B	9	mm
d ₁	≈ 17	mm
D ₂	≈ 24.72	mm
r _{1,2}	min. 0.6	mm

Abutment dimensions



d _a	min. 14.2	mm
d _a	max. 16.9	mm
D _a	max. 25.8	mm
r _a	max. 0.6	mm

Calculation data

Basic dynamic load rating	C	5.4	kN
Basic static load rating	C ₀	2.36	kN
Fatigue load limit	P _u	0.1	kN
Reference speed		56000	r/min
Limiting speed		28000	r/min
Calculation factor	k _r	0.025	
Calculation factor	f ₀	13	

Mass

Mass bearing	0.034	kg
--------------	--------------	----

