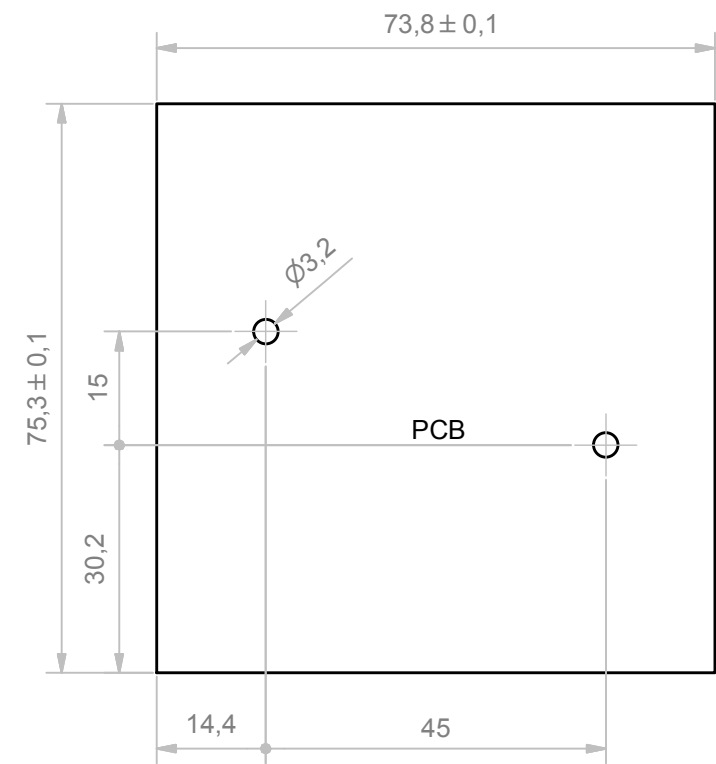
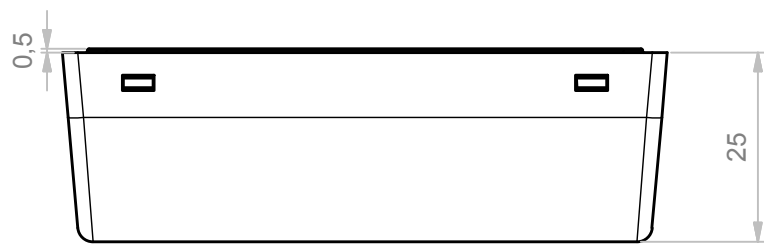
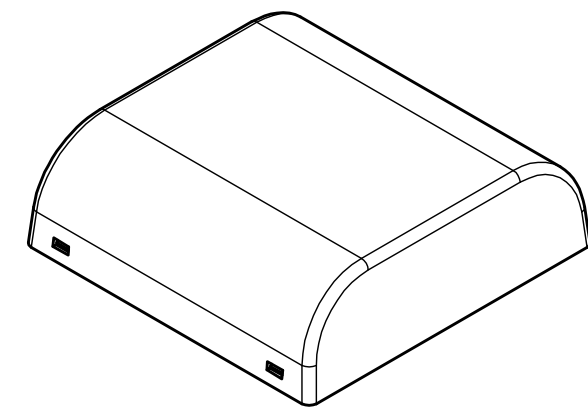
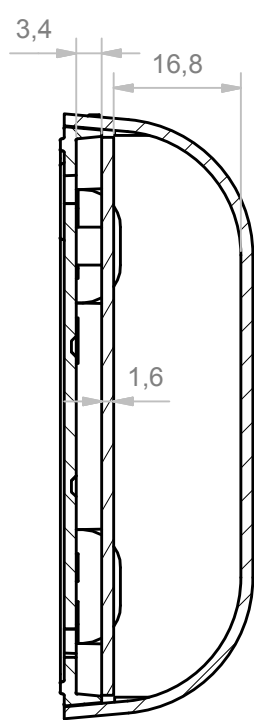


A-A (1:1)



| RIF. | Q.TY | DESCRIPTION | CODE |
|------|------|-------------------------------------|---------|
| 1 | 1 | COVER THERMO 80 WITHOUT VENTILATION | T-02535 |
| 2 | 1 | BASE THERMO 80 WITH SPACERS 4 MM | V-01378 |

RESERVED PROPERTY: The present drawing cannot be reproduced or communicated to 3d parties, even partially, without the authorization of ITALTRONIC Srl. Italtronic reserves to protect its own rights according to the law.

| | | | | |
|-------------------|---------------------------------|--------|------------|----------------------|
| GENERAL TOLERANCE | UNI EN 22768/1 Media (m) | Drawn: | Checked: | Revision description |
| SHEET NR. | Dimension in mm | 1 / 1 | Rigato N. | Fanin F. |
| | | | Date: | Replace nr. |
| | | | 03/03/2017 | Part number: |

Denomination: COMPLETE ENCLOSURE THERMO 80 CLOSED WITH SPACERS

Plastic+ Group
UN PARTNER PER IL FUTURO

ITALTRONIC S.R.L.
VIA AUSTRIA 25/D 35127
PADOVA - ITALY
www.italtronic.com

Drawing nr. **T-06806-00**