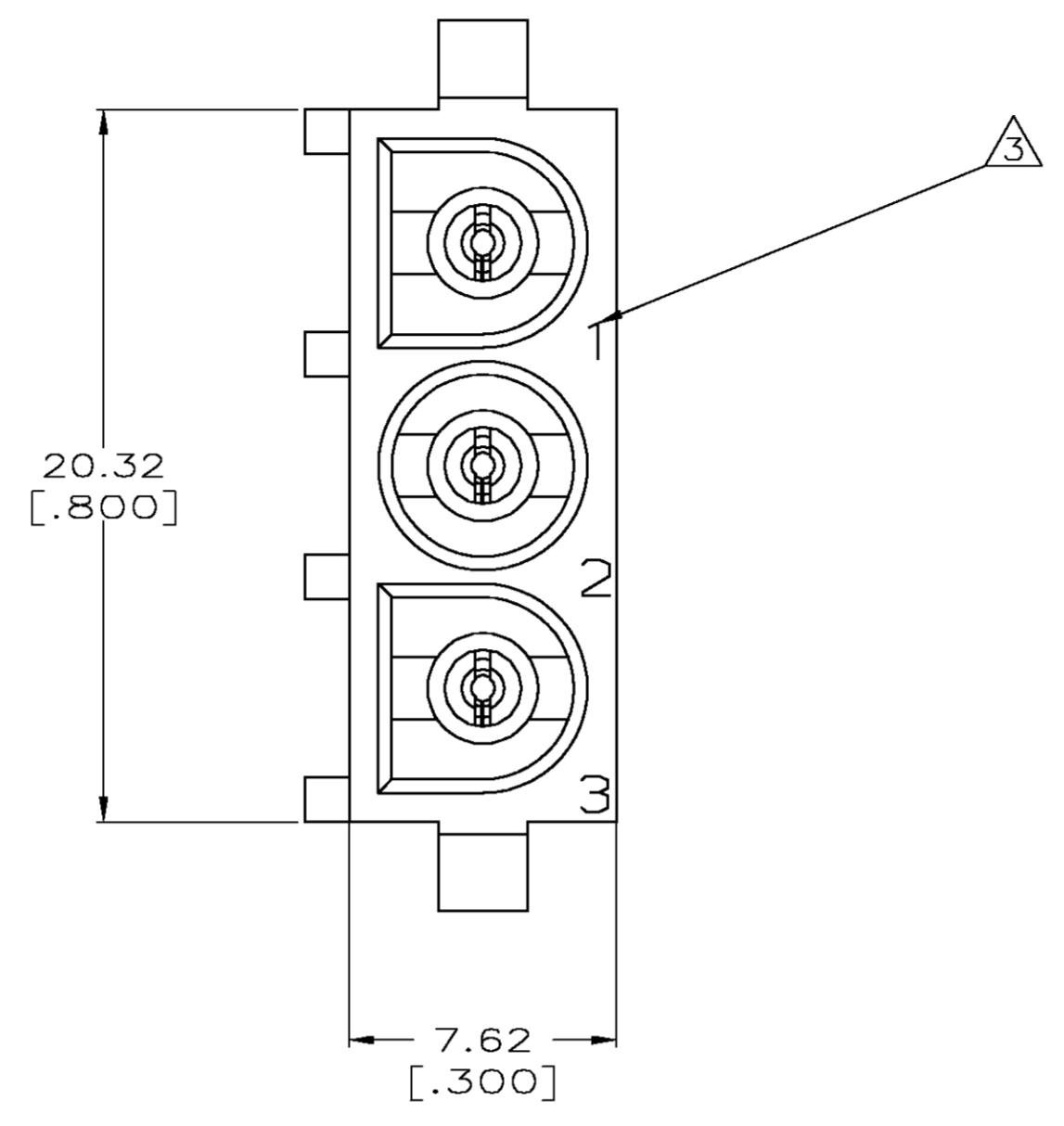
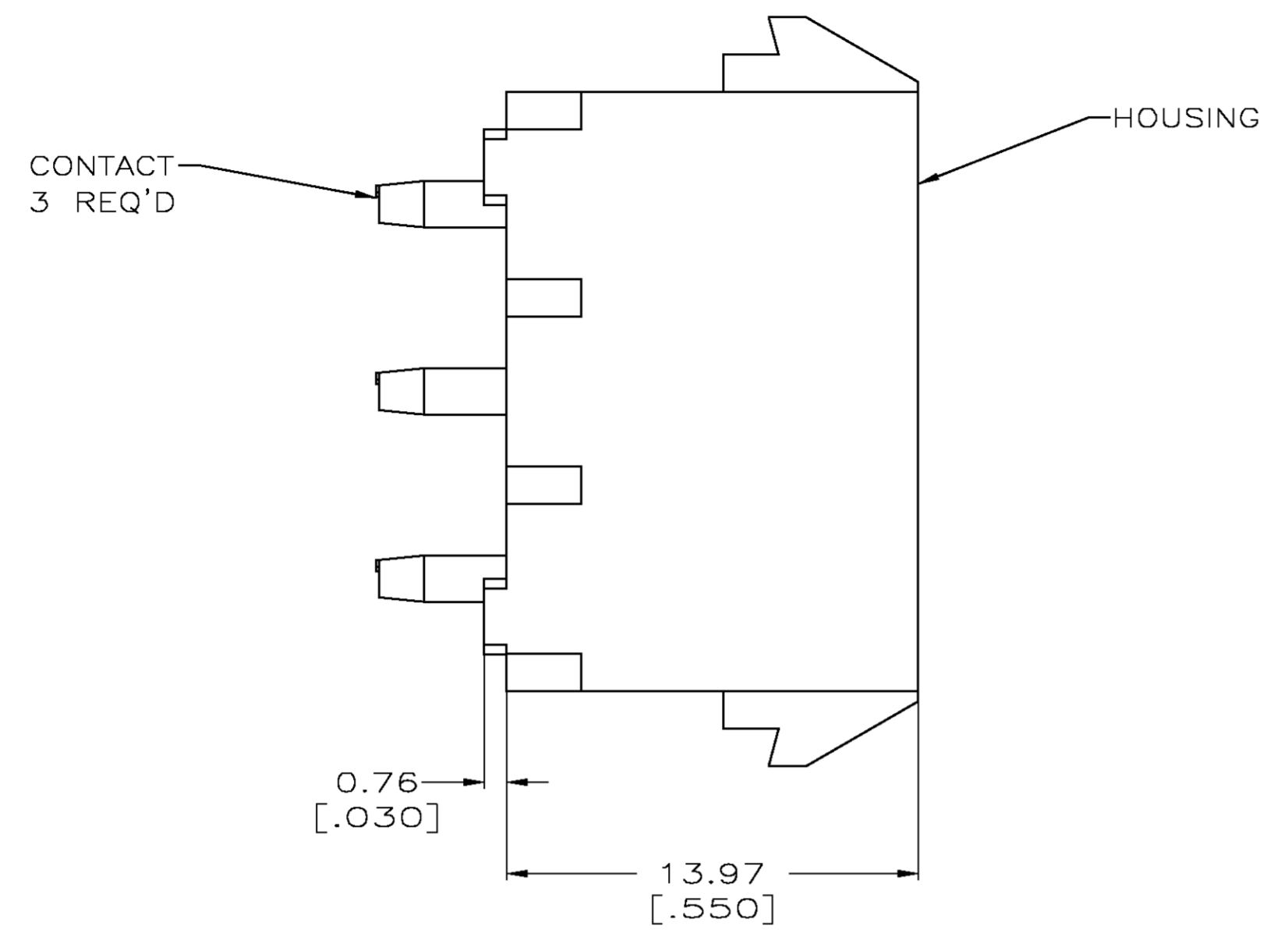
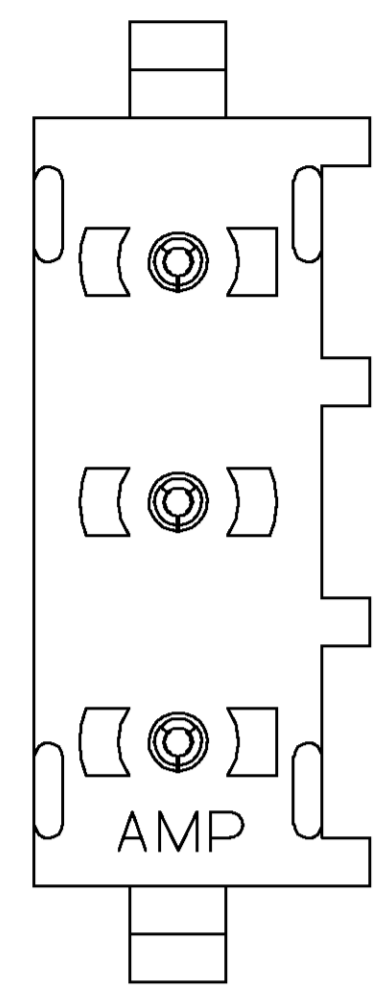
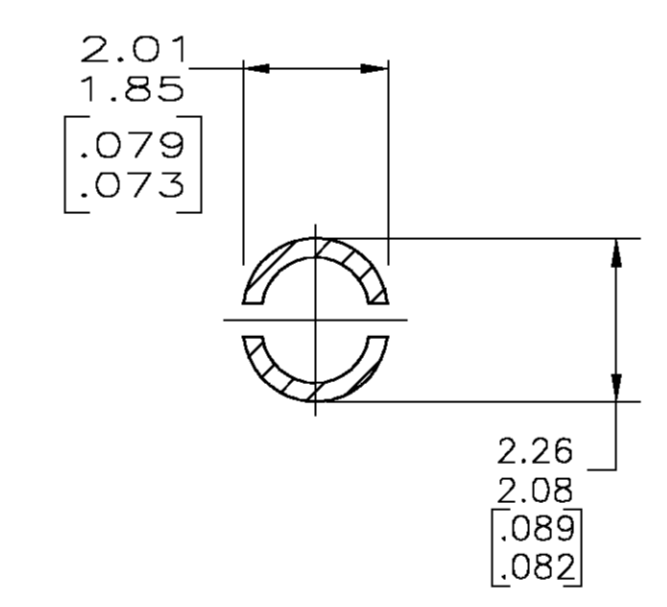
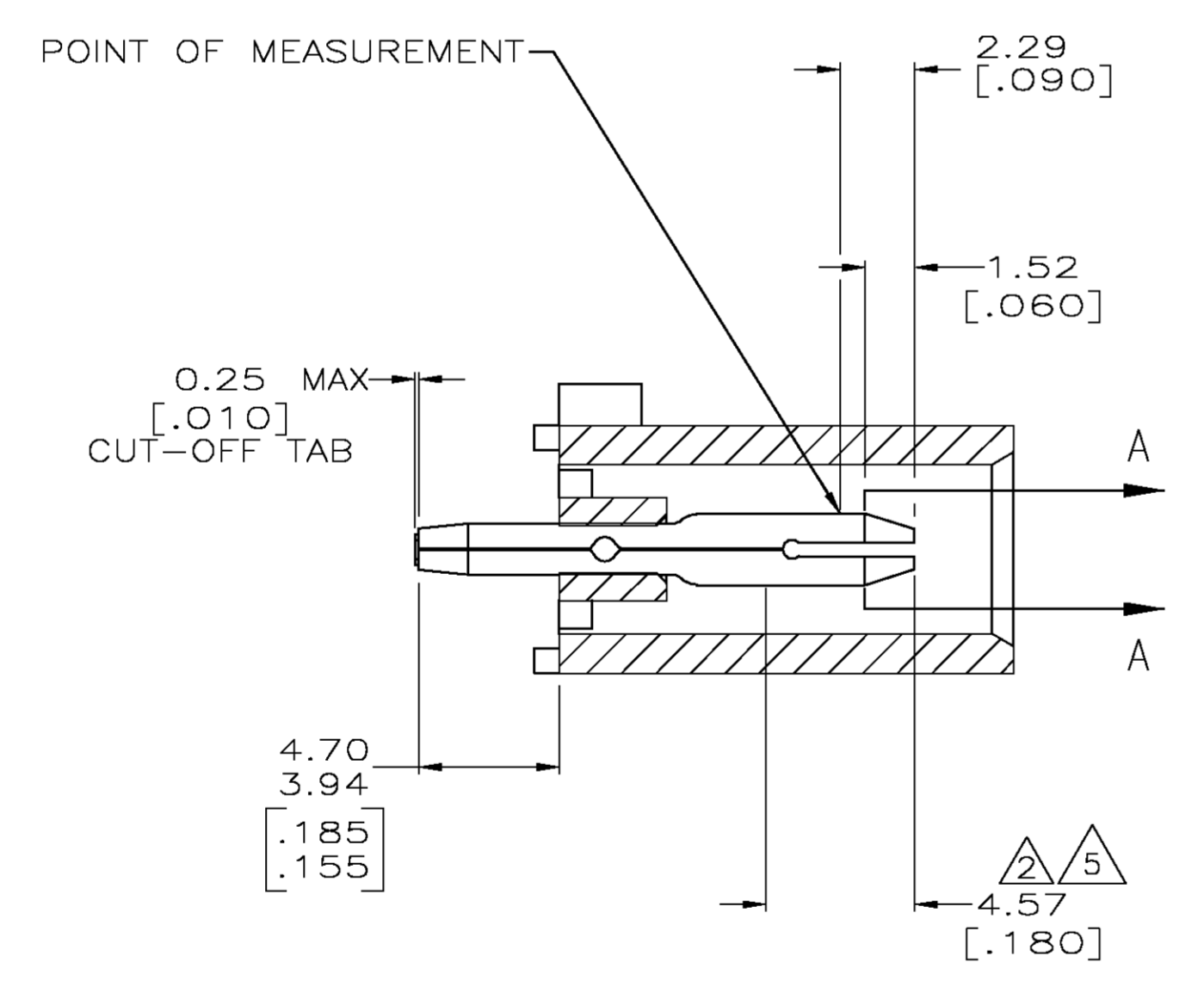


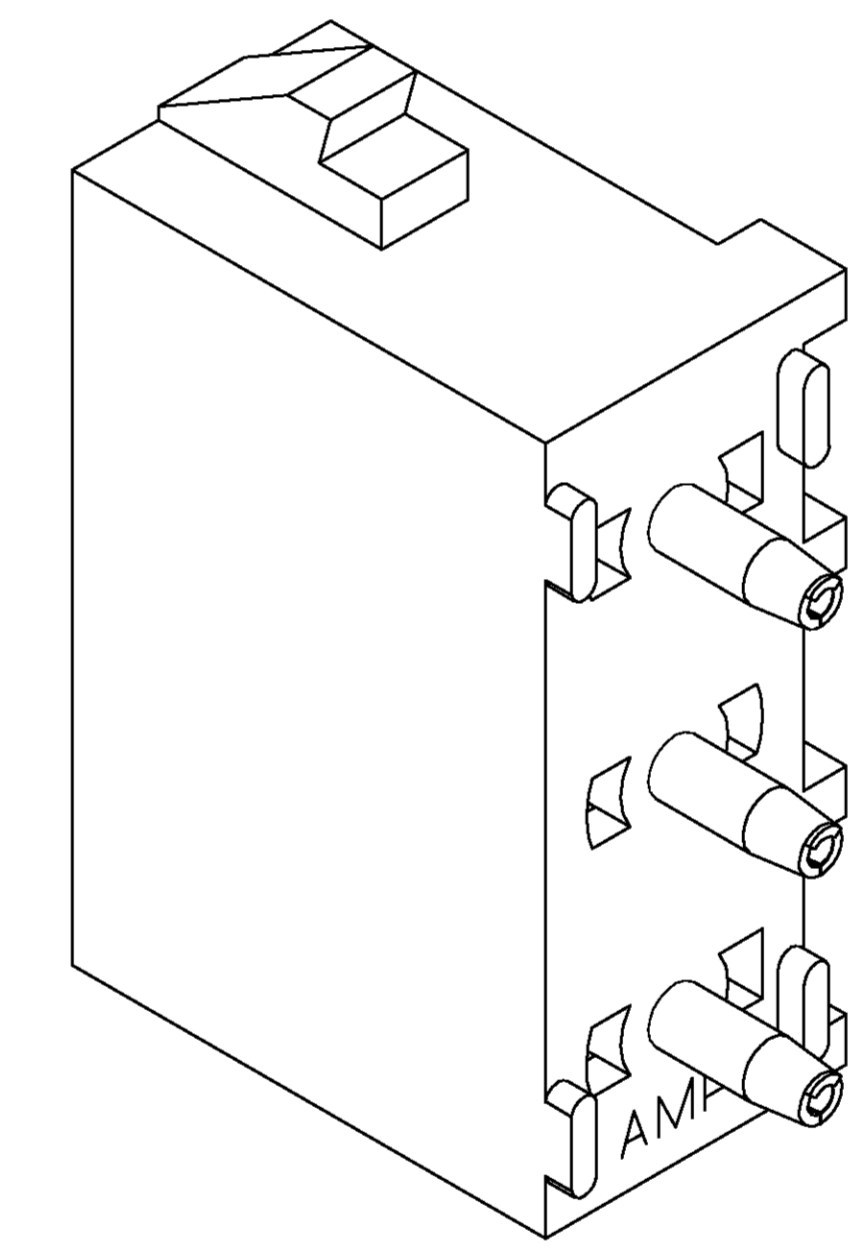
LOC		DIST		REVISIONS			
P	LR	DESCRIPTION	DATE	BY	APPD		
R		REV PER ECN 063B-0341-03	23JUN03	SC	SR		



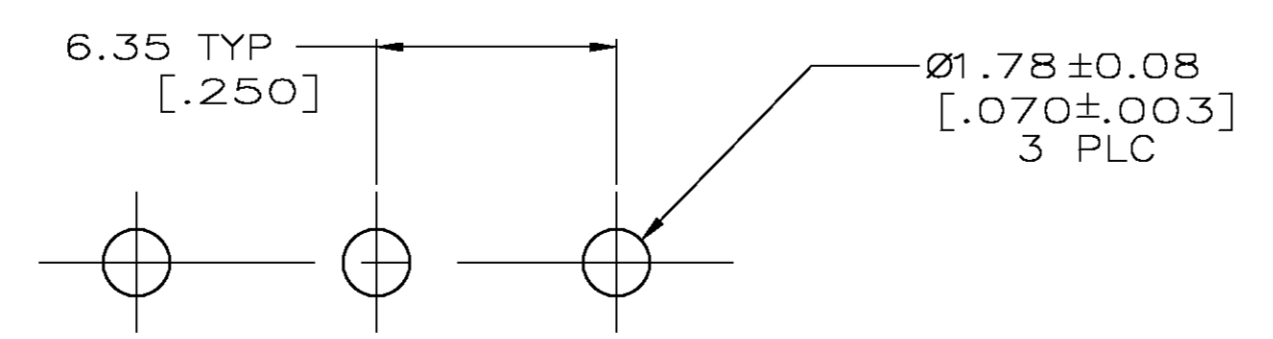
- PARTS COMPLY TO AMP SOLDERABILITY SPECIFICATION 109-11-3.
- CONTACT IS PLATED OVERALL WITH 0.00127 [.000050] NICKEL, THEN 0.00076 [.000030] GOLD OVER CONTACT LENGTH INDICATED AND MATTE TIN-LEAD ON SOLDER TAIL END.
- CIRCUIT IDENTIFICATION CHARACTERS ARE ADJACENT TO THE INDICATED CAVITIES, BUT LOCATION AND ORIENTATION MAY DIFFER FROM PRINT.
- DIMENSIONS IN BRACKETS ARE IN INCHES.
- CONTACT IS PLATED OVERALL WITH 0.00127 [.000050] NICKEL, THEN 0.00076 [.000030] GOLD OVER CONTACT LENGTH INDICATED AND MATTE TIN ON SOLDER TAIL END.



SECTION A-A  
SCALE 10:1

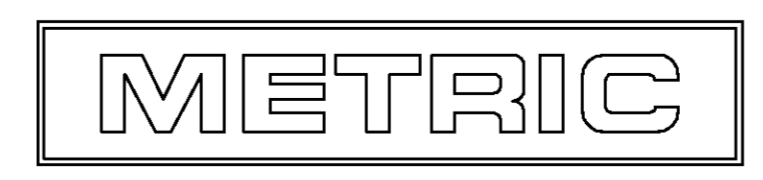


3-DIMENSIONAL MODEL NTS



RECOMMENDED MOUNTING HOLE PATTERN FOR 1.57 [.062] THICK P.C. BOARD

PHOSPHOR BRONZE, GOLD $\Delta 5$	NYLON, UL94V-0, WHITE	350789-3
PHOSPHOR BRONZE, GOLD $\Delta 2$	NYLON, UL94V-0, WHITE	350789-2
PHOSPHOR BRONZE, PRE-TIN	NYLON, UL94V-0, WHITE	350789-1
PIN CONTACT MATERIAL AND FINISH	HOUSING MATERIAL	PART NUMBER



THIS DRAWING IS A CONTROLLED DOCUMENT.

DIMENSIONS: MM	TOLERANCES UNLESS OTHERWISE SPECIFIED:	DIN S. CARPENTER 23JUN2003	Tyco Electronics Corporation Harrisburg, PA 17105
0 PLC ± 1 PLC ± 2 PLC ± 0.13 [.005] 3 PLC ± 4 PLC ± ANGLES ± 0.30° FINISH SEE TABLE	APVD S. RIDGILL 23JUN2003 PRODUCT SPEC APPLICATION SPEC WEIGHT	NAME PIN HEADER ASSEMBLY, 3 CIRCUIT	
MATERIAL SEE TABLE	WEIGHT	SIZE A1	CAGE CODE 00779 DRAWING NO. C=350789 RESTRICTED TO CUSTOMER DRAWING SCALE 5:1 SHEET 1 OF 1 REV R