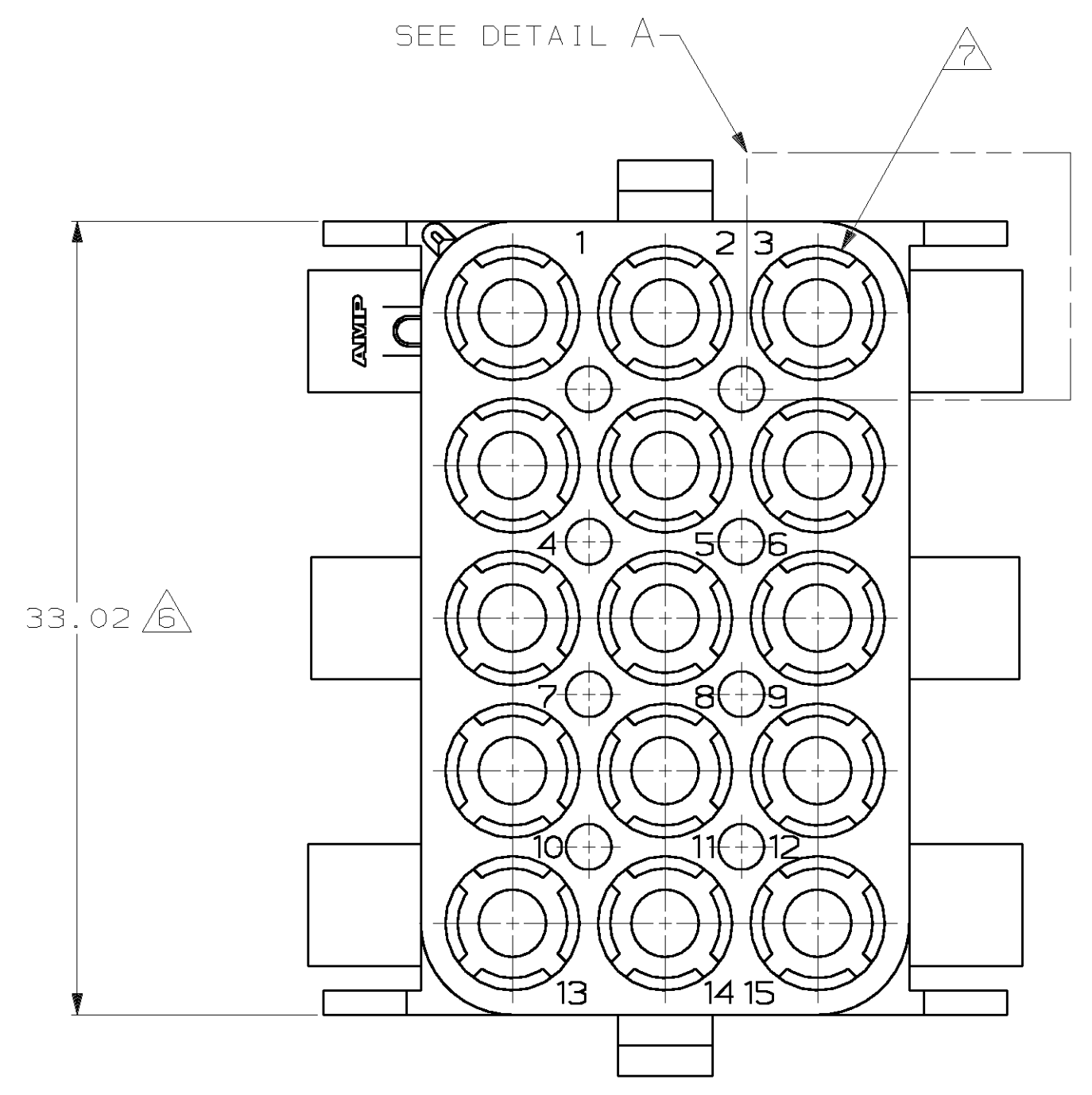
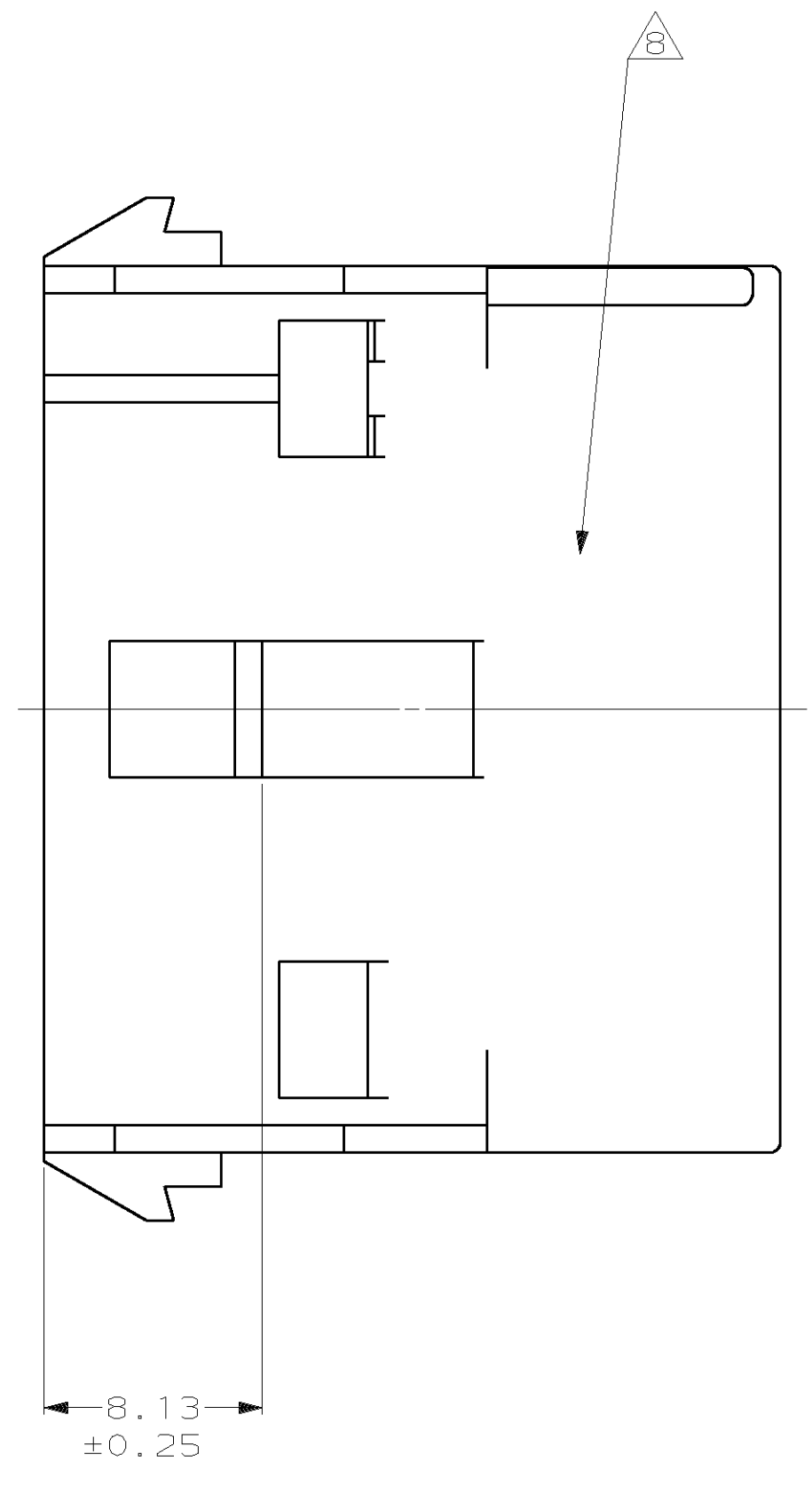
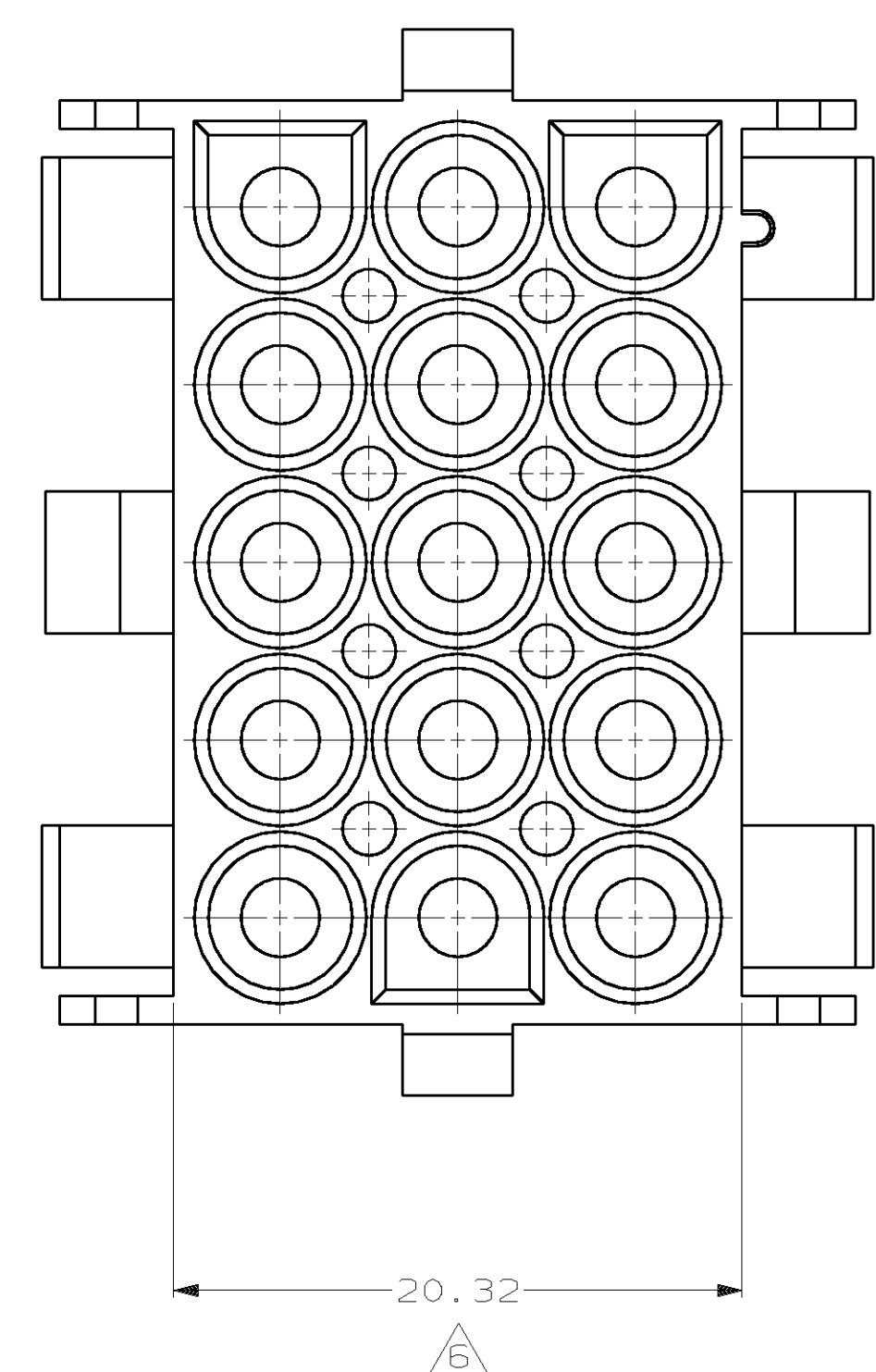
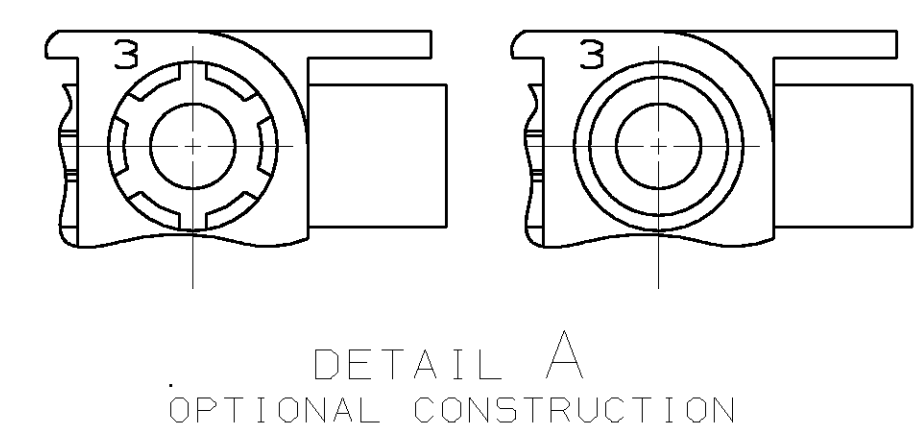


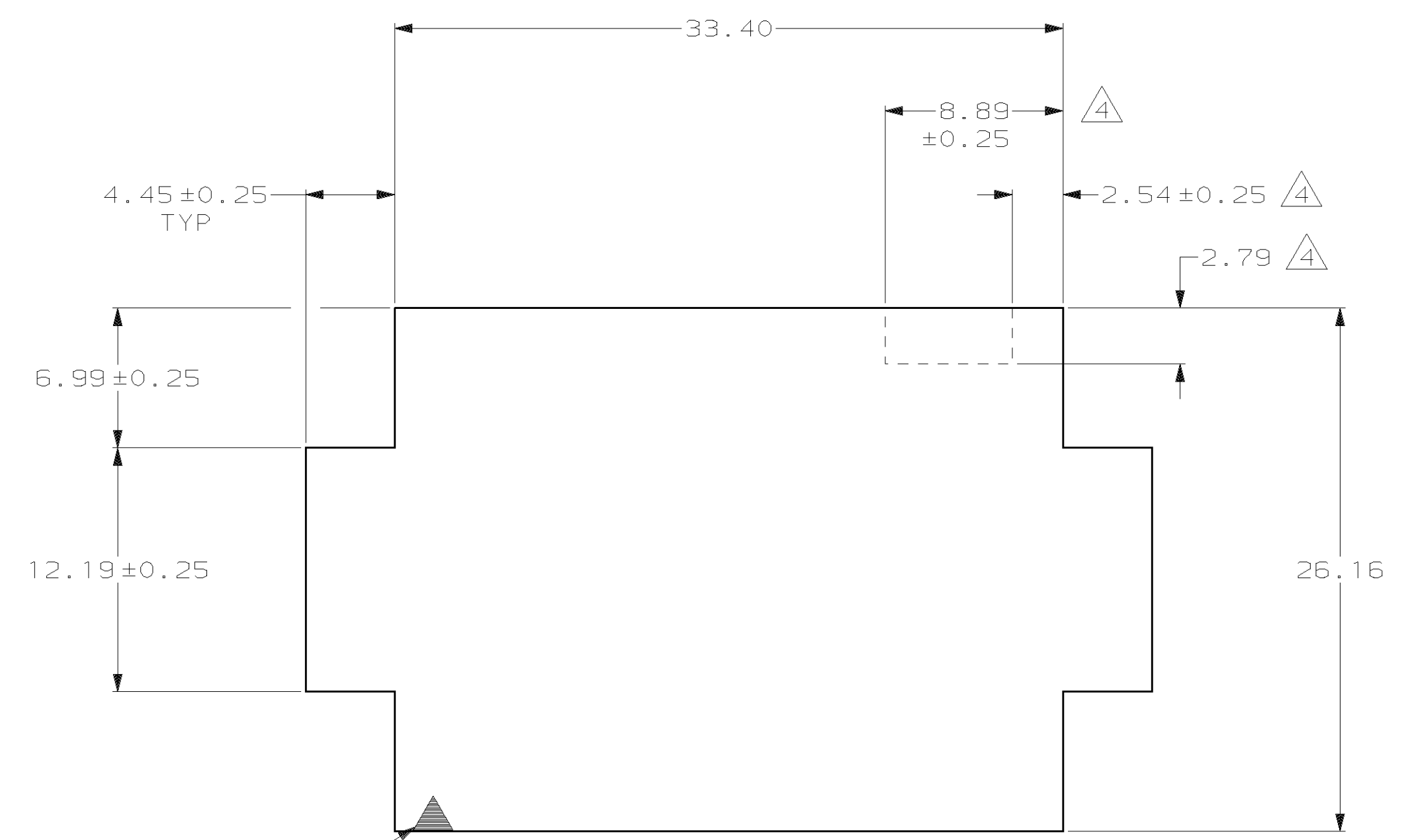
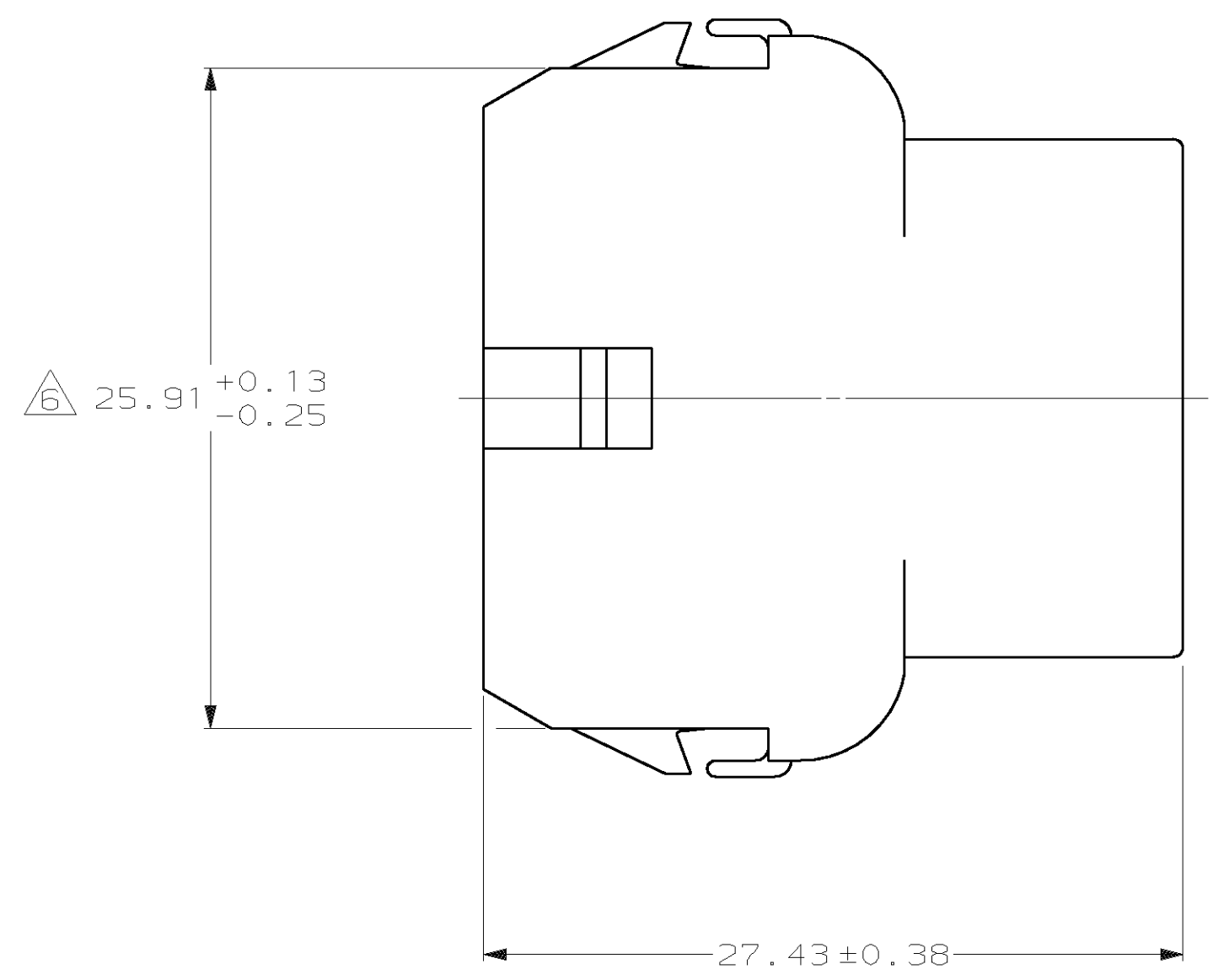
LOC		DIST		P		ZONE		LTR		REVISIONS		DATE	APPD
CM	53									U	REV PER EC 0G1B-0229-98	17-FEB-99	JH RS



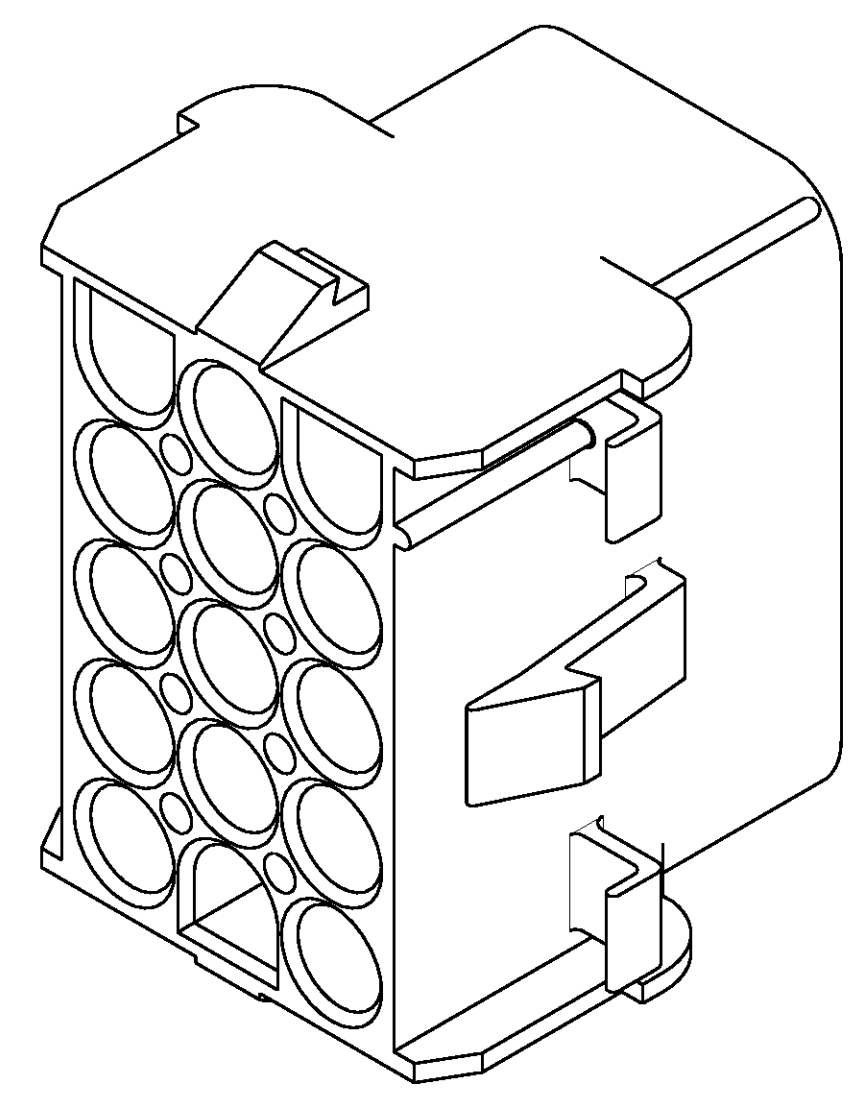
- MATES WITH APPROPRIATE UNIVERSAL MATE-N-LOK™ PLUG.
 - RECOMMENDED PANEL THICKNESS 0.76 - 2.29.
 - PANEL MUST BE PUNCHED SO THAT THE HOUSING ENTERS THE PANEL IN THE SAME DIRECTION AS THE PUNCH.
- △4 OPTIONAL FOR KEYING HOUSING IN PANEL.
 - △5 CIRCUIT NUMBER 1 LOCATION.
 - △6 DIMENSION INDICATED IS AS MOLDED. ADDITIONAL GROWTH DUE TO SUBSEQUENT MOISTURE ABSORPTION MAY OCCUR.
 - △7 FOUR RIBS EQUALLY SPACED, NO SPECIFIC ORIENTATION. NO RIBS OR SIX RIBS EQUALLY SPACED, NO SPECIFIC ORIENTATION, OPTIONAL.
 - △8 UNDERWRITERS RECOGNIZED COMPONENT LOGO AND CSA CERTIFICATION LOGO TO BE LOCATED ONCE EACH ON SIDE OF HOUSING.



DETAIL A
OPTIONAL CONSTRUCTION



RECOMMENDED PANEL CUT OUT



3-DIMENSIONAL MODEL
NTS

MM	IN	MM	IN
6.99	.275	33.40	1.315
4.45	.175	33.02	1.300
2.79	.110	27.43	1.080
2.54	.100	26.16	1.030
2.29	.090	25.91	1.020
0.76	.030	20.32	.800
0.38	.015	12.19	.480
0.25	.010	8.89	.350
0.13	.005	8.13	.320

CONVERSION TABLE

METRIC

THIS DRAWING IS A CONTROLLED DOCUMENT FOR AMP INCORPORATED. IT IS SUBJECT TO CHANGE AND THE CONTROLLING ENGINEERING ORGANIZATION SHOULD BE CONTACTED FOR THE LATEST REVISION.

DO NOT SCALE PRINT. UNLESS SPECIFIED DIMENSIONS IN mm [INCHES] TOLERANCES - ON : 2 PLC DEC ± 0.13 3 PLC DEC ± - ANGLES ± 1°0'		DR 5-28-92 K. WHITAKER	AMP Incorporated Harrisburg, PA 17105-3508	
MATERIAL NYLON, UL 94V-0		CHK 5-28-92 R. SWING		
FINISH		APPD 5-28-92 D. SELF	NAME CAP, 15 CIRCUIT, UNIVERSAL MATE-N-LOK™	
PRODUCT SPEC		APPD 5-28-92 D. SELF	SIZE D	CAGE CODE 00779
APPLICATION SPEC		PRODUCT SPEC	DRAWING NO C-350784	SHEET 1 OF 1
WEIGHT		APPLICATION SPEC	SCALE 4:1	CUSTOMER DRAWING