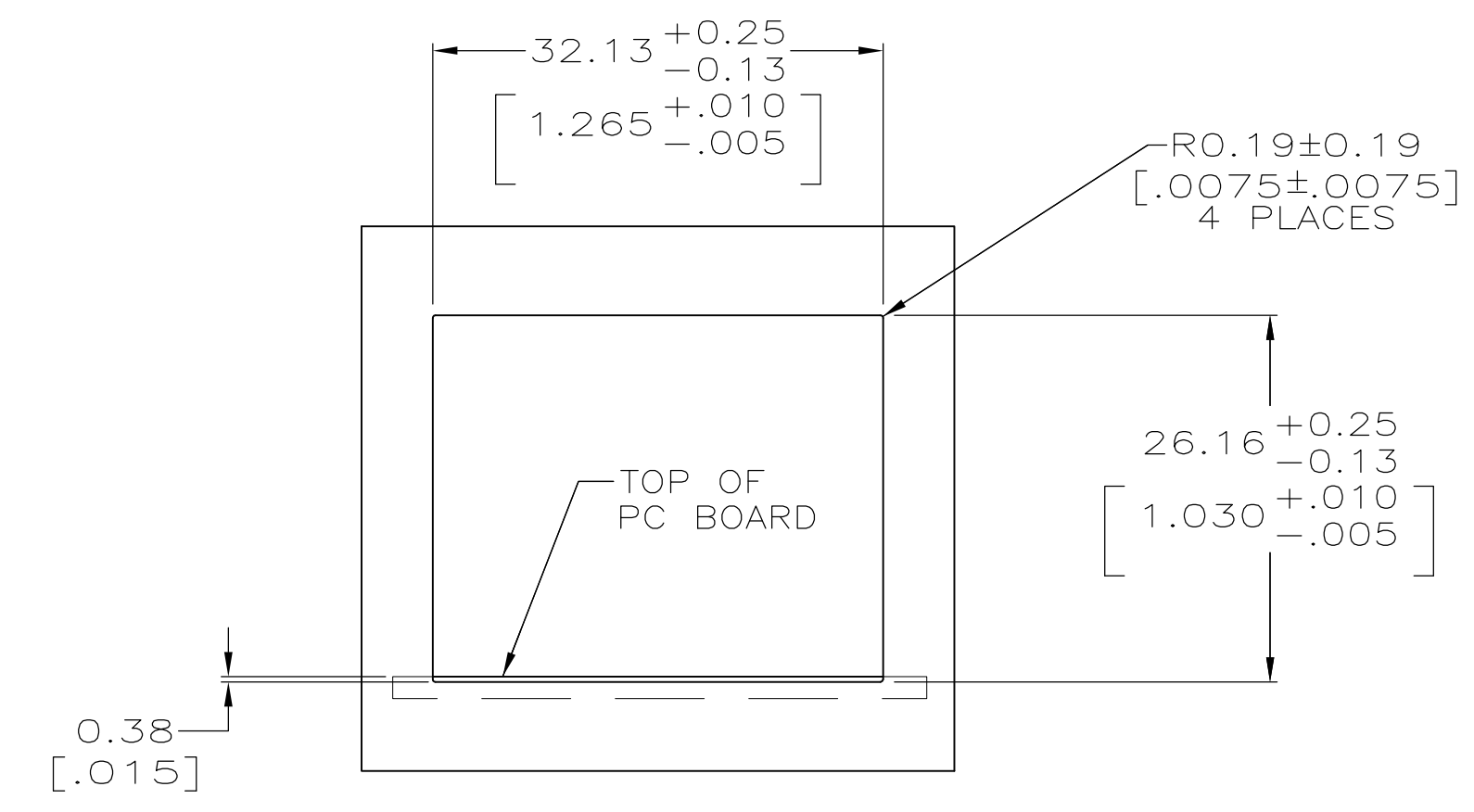
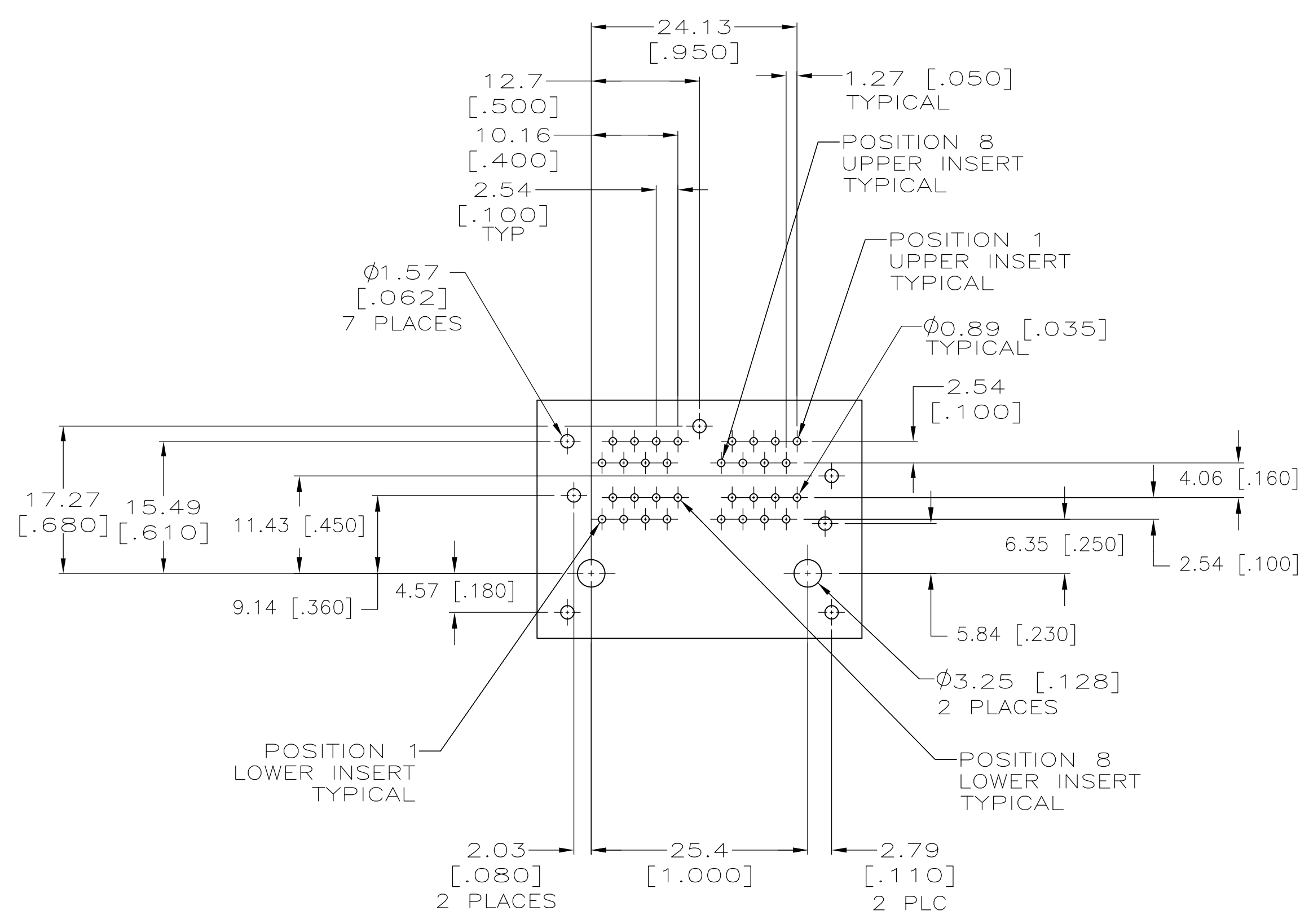
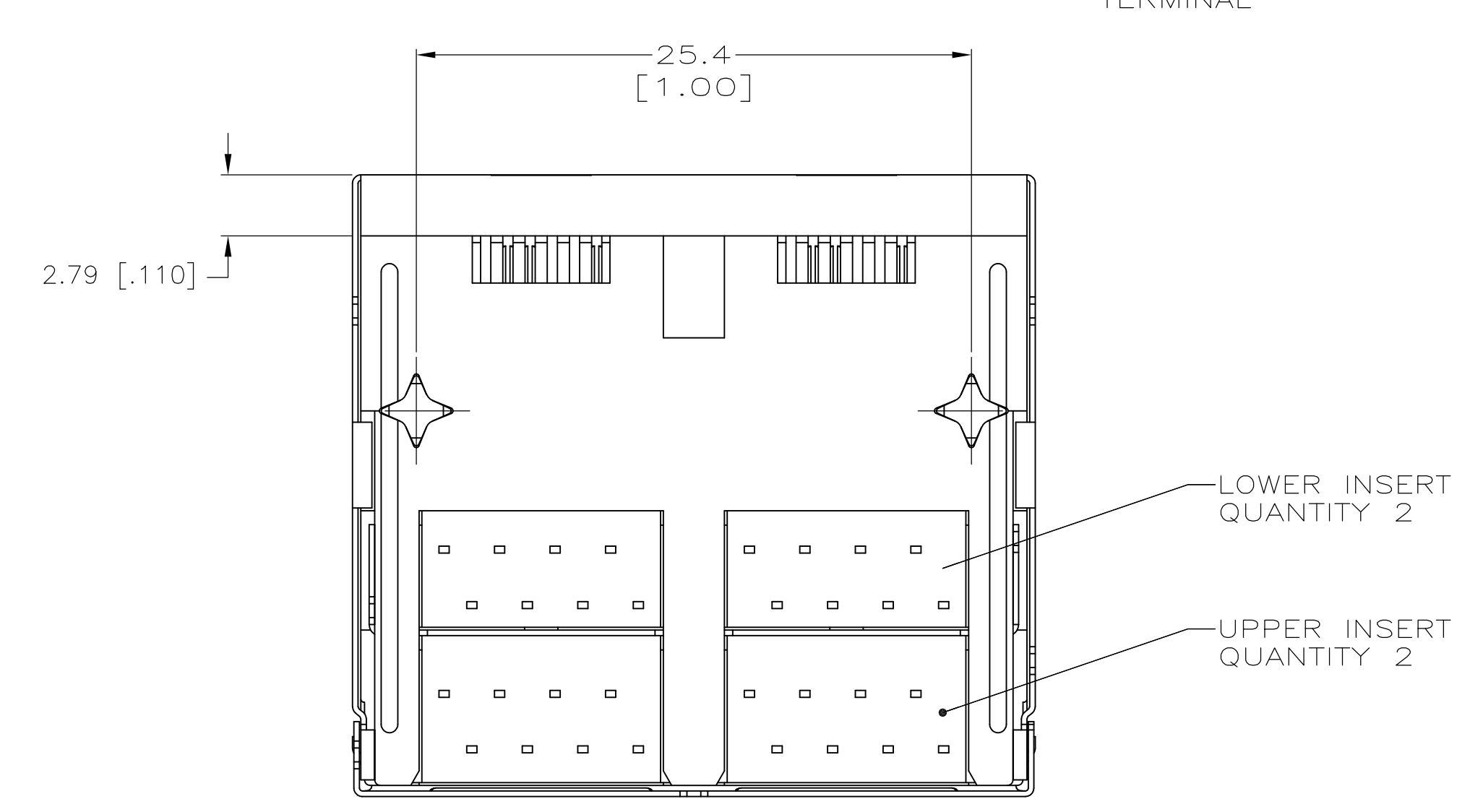
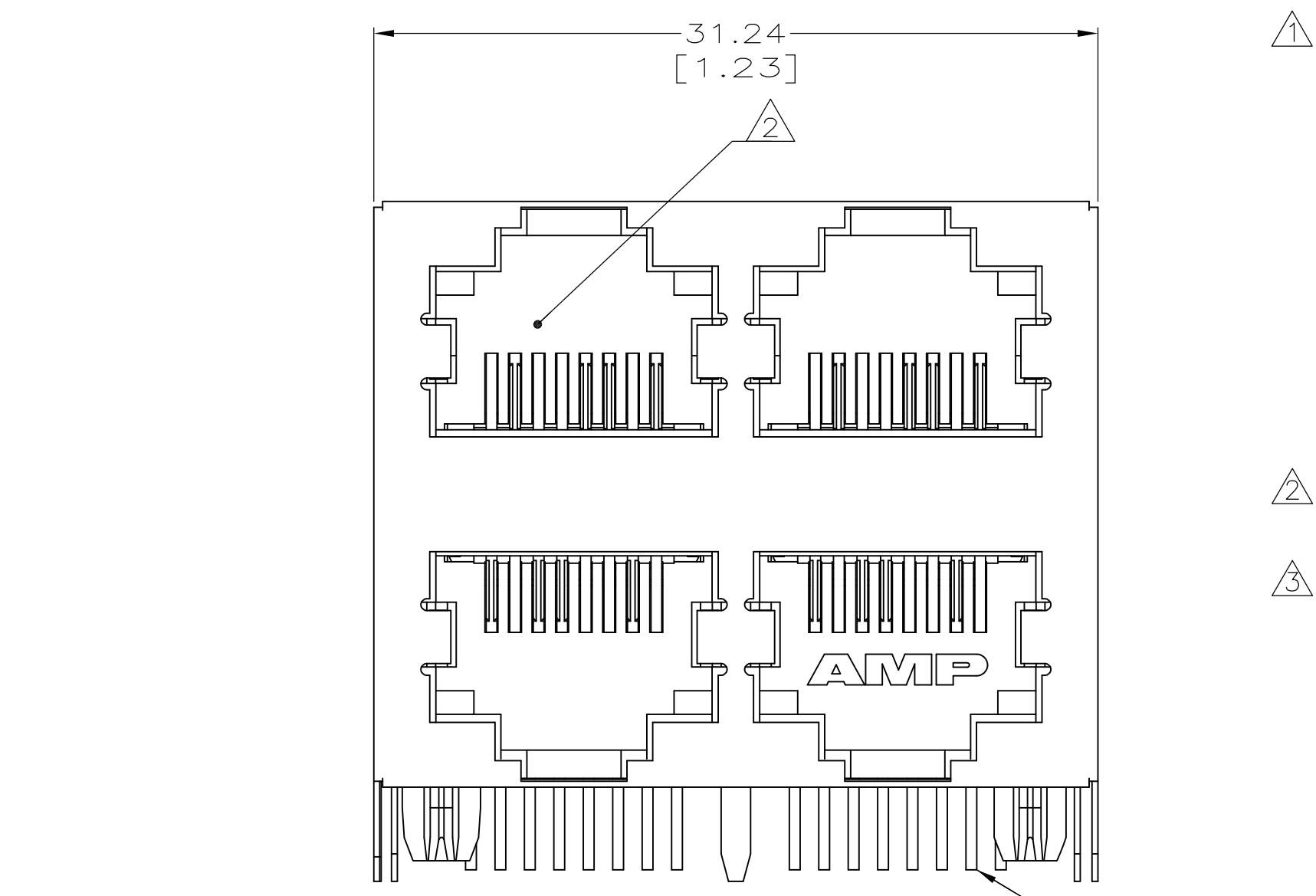
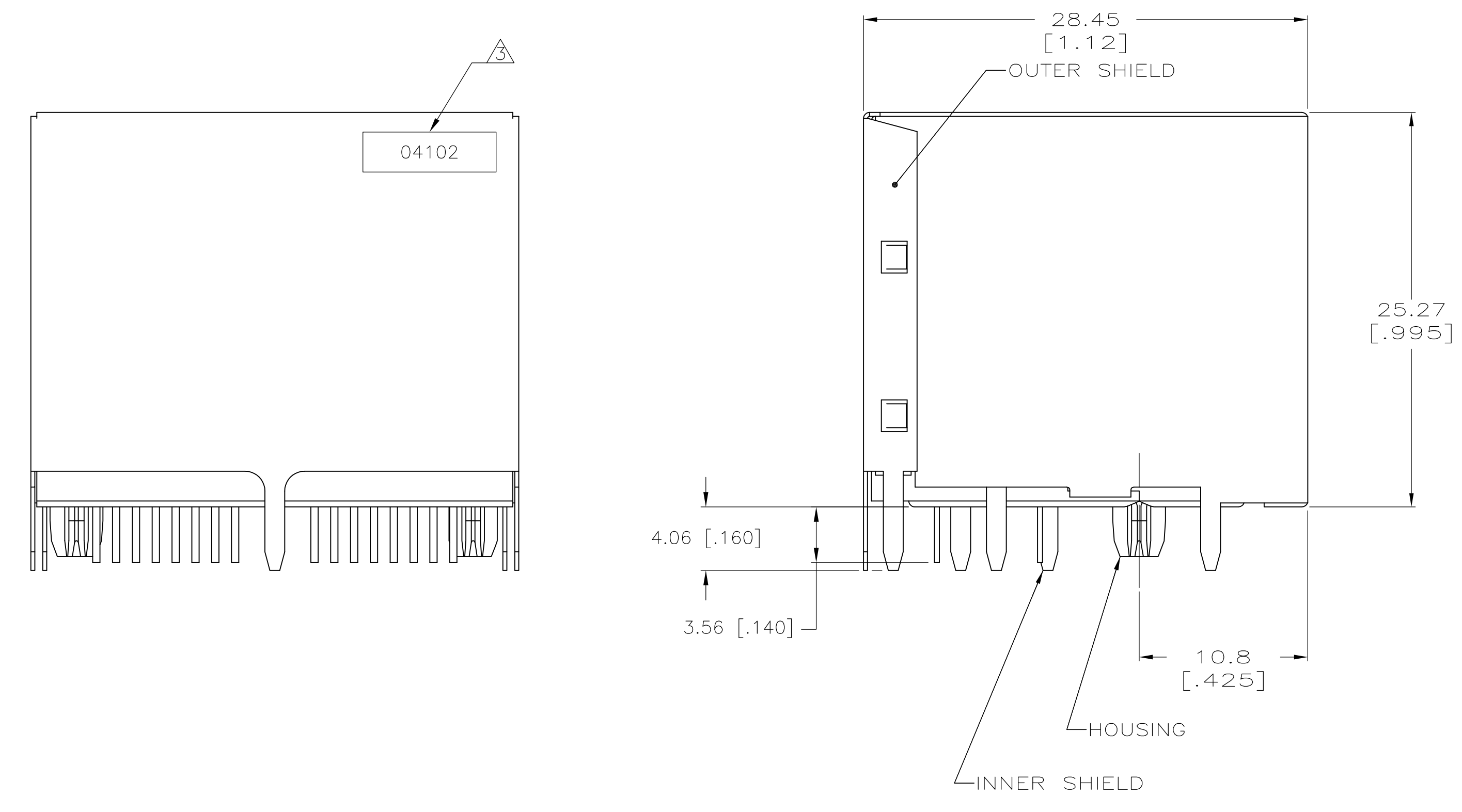


LOC		DIST		REVISIONS			
AA	22	REV	DATE	BY	CHK	APPV	
A2	REVISED PER ECO-11-005033		29MAR11	RK	HMR		

MATERIAL:
 HOUSING - PCT POLYESTER, BLACK, UL94V-0.
 OVERMOLDED TERMINAL ARRAY - PBT, BROWN.
 TERMINALS - 0.33 [.013] THICK PHOS BRONZE
 PLATED WITH 1.27um [.000050] MIN THICK
 HARD GOLD IN LOCALIZED AREA AND 3.81um
 [.000150] MIN THICK MATTE TIN IN SOLDER
 AREA OVER 1.27um [.000050] MIN THICK
 NICKEL UNDERPLATE.
 SHIELDS - 0.25 [.010] THICK COPPER ALLOY
 PLATED WITH 1.27 um [.000050] MINIMUM NICKEL
 AND 2.03 um [.000080] MINIMUM HOT TIN DIP
 ON PCB GROUND TABS.

JACK CAVITY CONFORMS TO FCC RULES AND REGULATIONS, PART 68 SUBPART F.

DATE CODE LOCATED ON REAR OF PART APPROXIMATELY AS SHOWN:
 FIRST 2 DIGITS ARE LAST 2 DIGITS OF YEAR,
 SECOND 2 DIGITS ARE MANUFACTURING
 WORK WEEK,
 LAST DIGIT IS DAY OF WEEK, WITH SUNDAY = 1.



PC BOARD LAYOUT VIEWED FROM COMPONENT SIDE
SCALE 2:1

SUGGESTED PANEL CUTOUT DIMENSIONS
SCALE 2:1

5569255-1
PART NUMBER

THIS DRAWING IS A CONTROLLED DOCUMENT.		DIN A. FERNANDEZ-DOCKS 14JUN2005		STE TE Connectivity	
DIMENSIONS: mm [INCHES]		CHK J. WESTMAN 14JUN2005		NAME S. FLICKINGER 14JUN2005	
TOLERANCES UNLESS OTHERWISE SPECIFIED:		APVD S. FLICKINGER 14JUN2005		PRODUCT SPEC 108-1163-2	
0. PLC ± -		APPLICATION SPEC 114-2048		SIZE CAGE CODE DRAWING NO. A1 00779 C=5569255	
1. PLC ± 0.25(.01)		WEIGHT -		RESTRICTED TO	
2. PLC ± 0.25(.01)		CUSTOMER DRAWING		SCALE 4:1 SHEET 1 OF 1 REV A2	
3. PLC ± 0.13(.005)					
4. PLC ANGLES ± -					