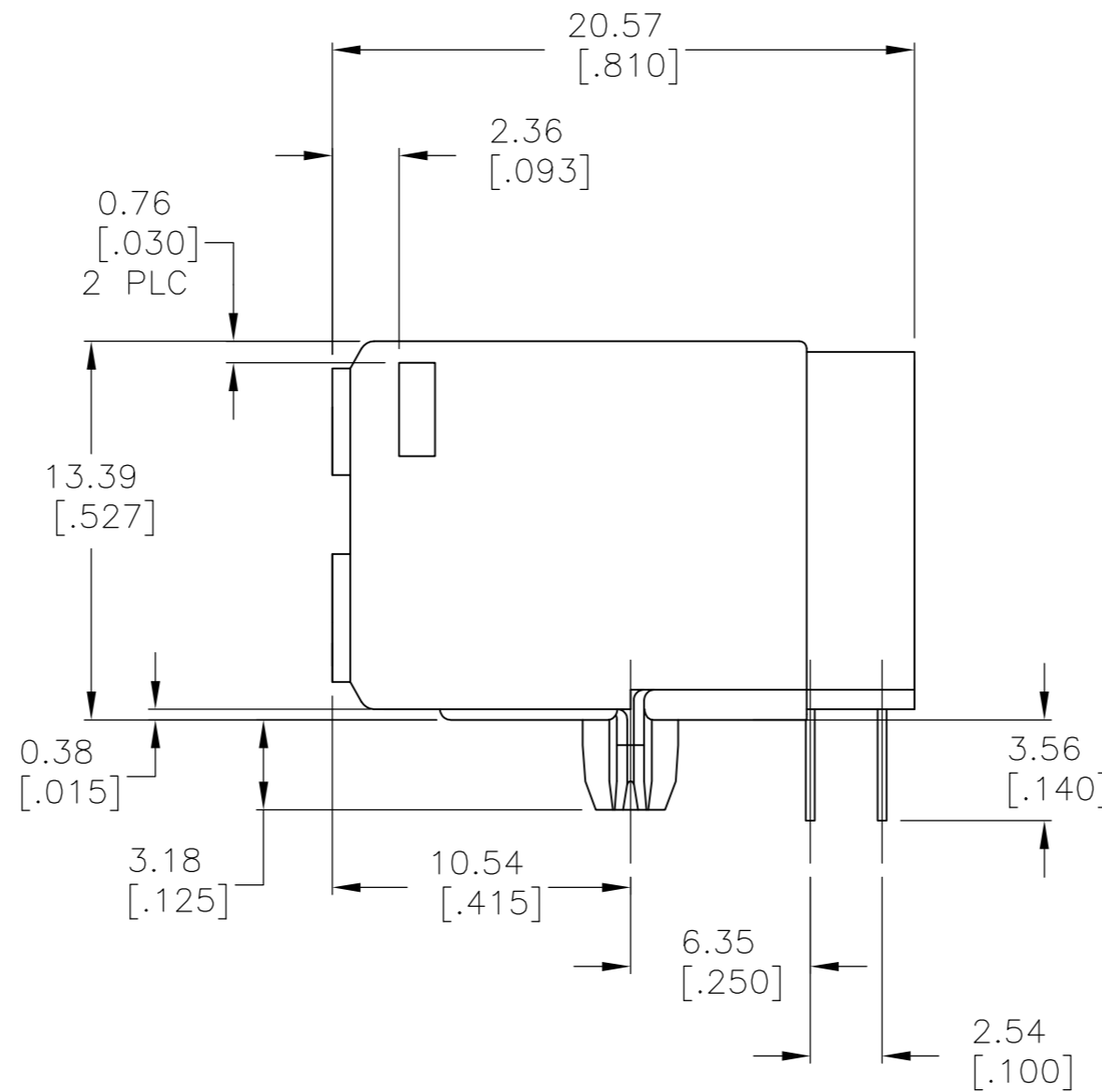
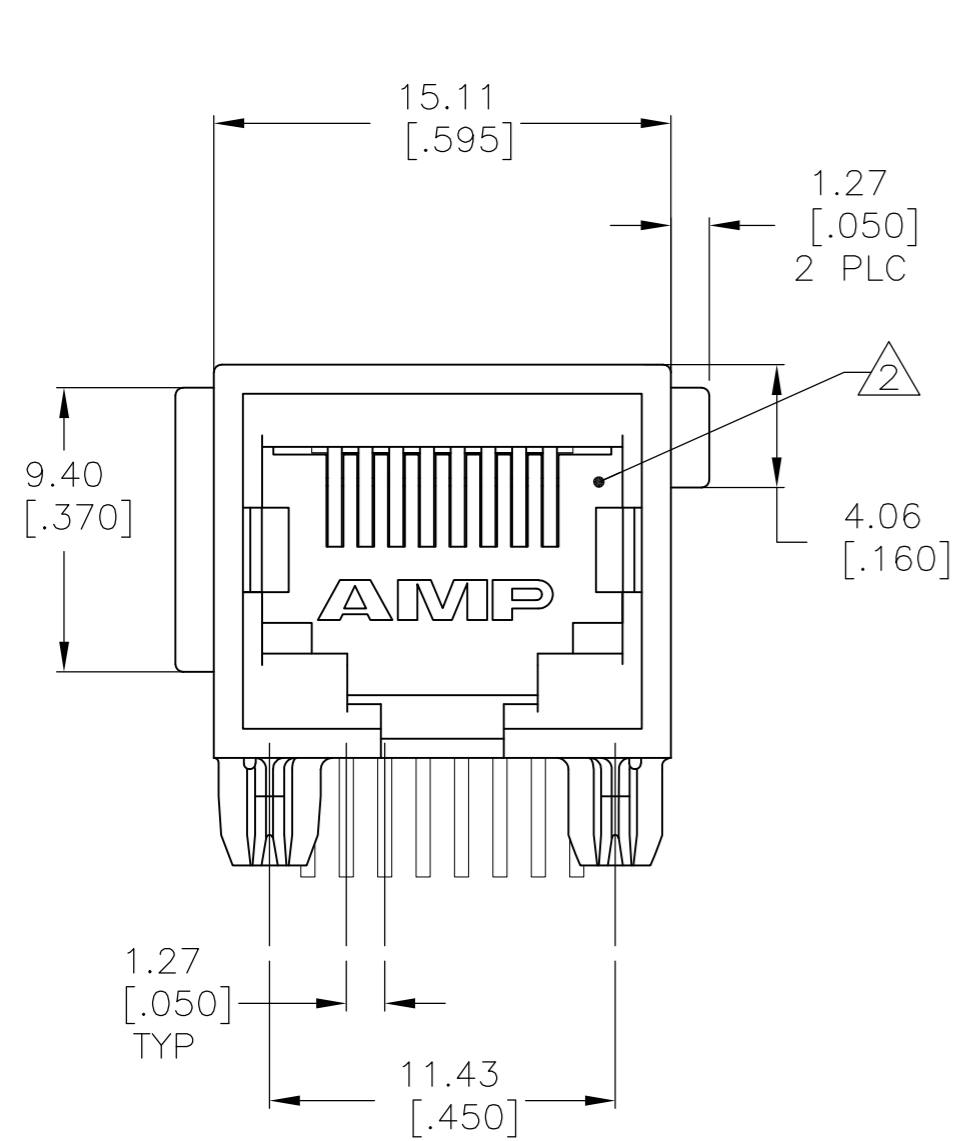
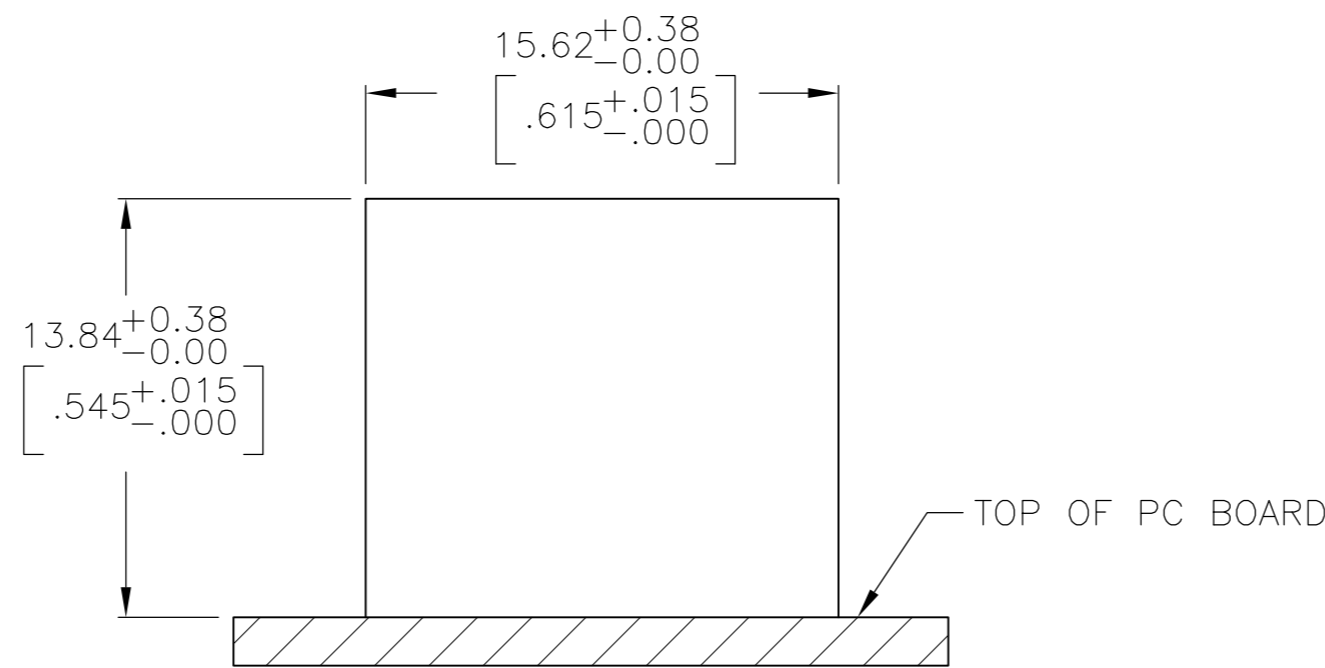
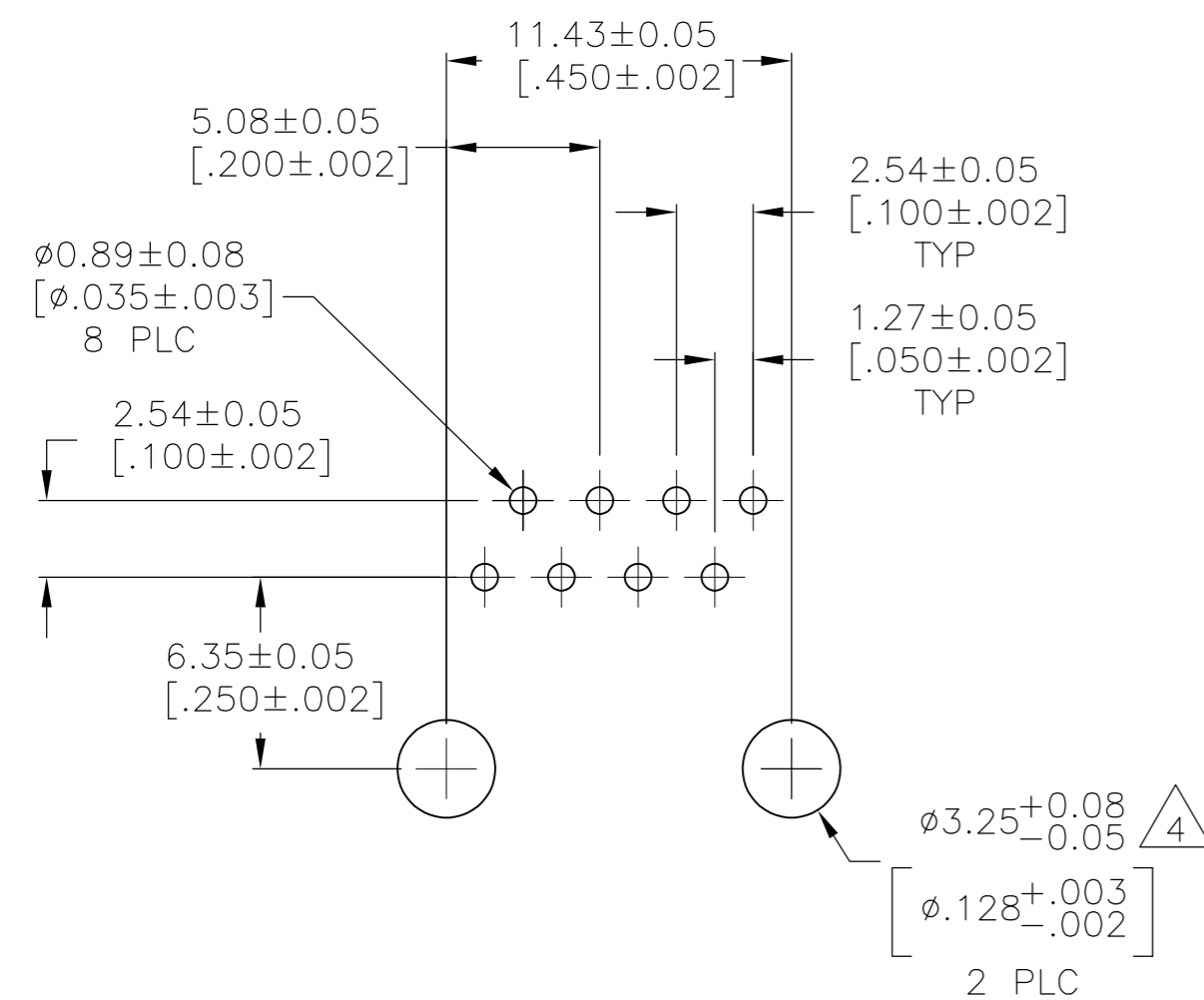


THIS DRAWING IS UNPUBLISHED. RELEASED FOR PUBLICATION
 © COPYRIGHT - By - ALL RIGHTS RESERVED.

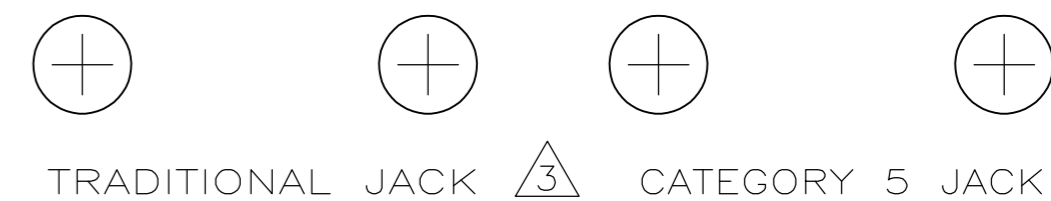
LOC		DIST		REVISIONS			
P	LTR	DESCRIPTION		DATE	DWN	APVD	
AA	00	B2	REVISED PER ECO-11-005033	29MAR11	RK	HMR	



- ⚠ MATERIAL: HOUSING—HIGH TEMPERATURE NYLON, BLACK, UL 94V-0.
TERMINALS - 0.33[.013] THICK PHOS BRONZE PLATED WITH 1.27μm[.000050] MINIMUM THICK HARD GOLD IN LOCALIZED AREA AND 3.81μm [.000150] MINIMUM THICK MATTE TIN IN SOLDER AREA OVER 1.27μm[.000050] MINIMUM THICK NICKEL UNDERPLATE.
- ⚠ JACK CAVITY CONFORMS TO FCC RULES AND REGULATIONS, PART 68 SUBPART F.
- ⚠ CAUTION: CATEGORY 5 JACK SOLDER TAIL POSITIONS DO NOT FOLLOW SAME NUMBER SEQUENCE AS THAT OF TRADITIONAL JACKS.
- ⚠ USE #30 DRILL BIT OR 3.25mm DRILL BIT WHEN PRODUCING THESE PCB HOLES.



SUGGESTED PANEL CUTOUT SCALE 2:1



SUGGESTED PC BOARD LAYOUT COMPONENT SIDE

THIS DRAWING IS A CONTROLLED DOCUMENT.		DWN B. LATTUCA 20SEPT05	TE Connectivity			
DIMENSIONS: mm [INCHES]		CHK J. WESTMAN 20SEPT05				
TOLERANCES UNLESS OTHERWISE SPECIFIED:		APVD S. FLICKINGER 20SEPT05	NAME MODULAR JACK ASSEMBLY, 8 POSITION, RIGHT ANGLE, LOW PROFILE, CATEGORY 5, WITH PANEL STOPS			
0 PLC ± - 1 PLC ± - 2 PLC ± 0.25[.010] 3 PLC ± - 4 PLC ± - ANGLES ± - FINISH SEE NOTE 1		PRODUCT SPEC 108-1163	SIZE A2	CAGE CODE 00779	DRAWING NO C=5558343	RESTRICTED TO -
MATERIAL SEE NOTE 1		WEIGHT -	SCALE 4:1		SHEET 1 of 1	REV B2
		CUSTOMER DRAWING				

5558343

5558343-1
PART NO.