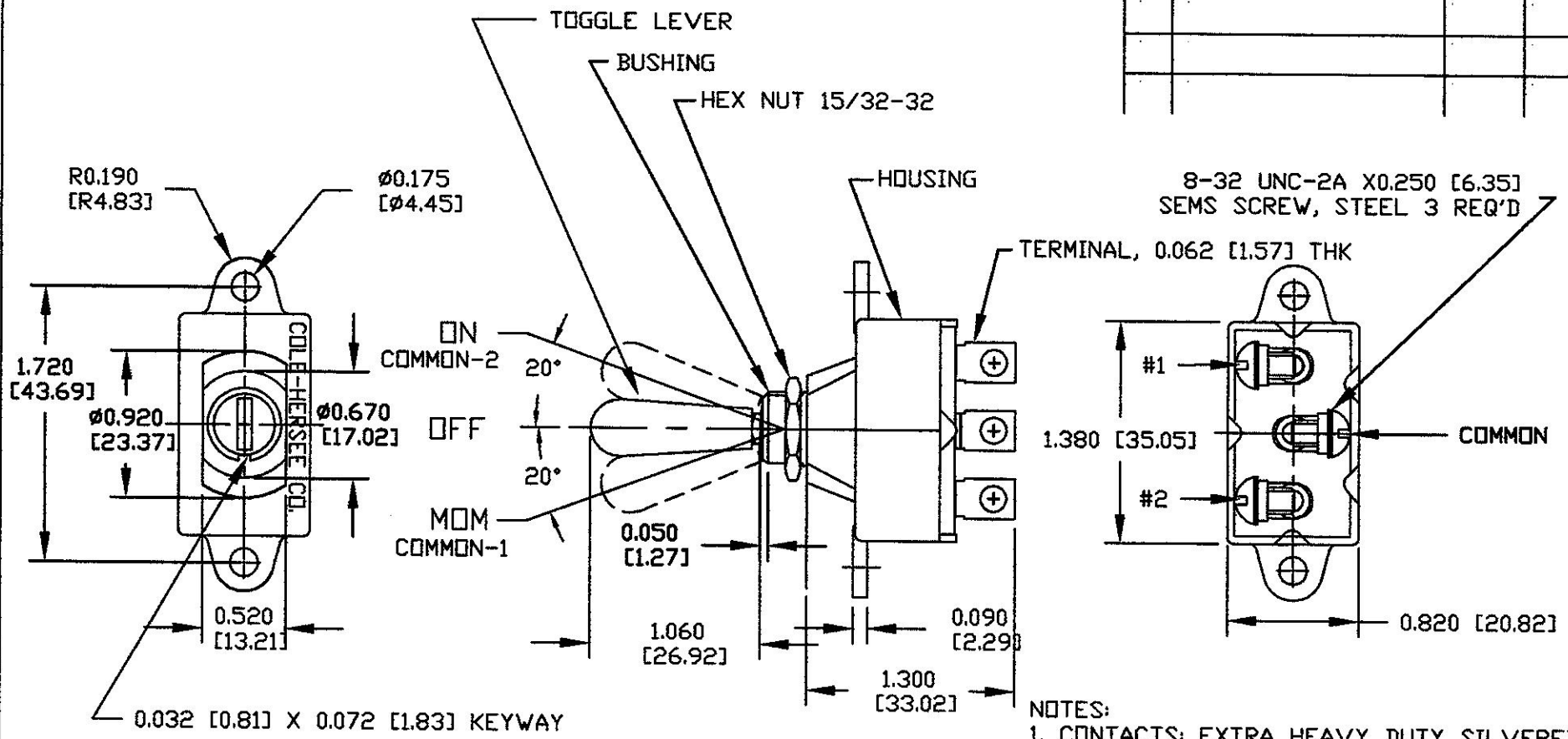


Revision Control Record

Rev.	Description of Change	ECN No.	Date
H	ADD NOTE 3 & 4	04449	07/21/06



- NOTES:
- CONTACTS: EXTRA HEAVY DUTY SILVERED
 - ALL STEEL PARTS PLATED
 - ALL DIMENSIONS ARE REFERENCES ONLY
 - HEX NUT & SCREWS TO BE BAGGED

TOLERANCES - Unless otherwise specifically noted, the following are default tolerances:
 * 2-place Decimal Dimensions $\pm .02"$
 * 3-place Decimal Dimensions $\pm .005"$
 * Angular Dimensions ± 1.0 Deg.
 * Metric: Refer to equivalent English Dimension Tolerance
 >>> NOTE: All tolerances are Non-Cumulative. <<<

Dimensional Units - All dimensions are expressed in inches except those shown in brackets (xxx) are expressed in millimeters

"REF." or an Asterisk (*) = Non-Toleranced Reference Dimension, shown for clarification purposes only.

PROPRIETARY INFORMATION - This Engineering Drawing, and the information contained herein, is proprietary to Cole Hersee Company and may not be disclosed, re-produced, or in any other way transferred or communicated to any other party without the express written consent of an authorized representative of Cole Hersee Company.

DESIGN CONTROL - It is the responsibility of the individual using / referencing this drawing to assure that the noted design revision level agrees with the revision level of the Controlled Document (Master Drawing). This is a **NON-CONTROLLED DOCUMENT** unless otherwise specifically noted.

DO NOT SCALE - Dimensional variation may occur during printing / reproduction.

Key for Special Characteristics:

- Critical Characteristic, relating to Safety and/or Regulatory Compliance
- Significant Characteristic relating to Process Control (SPC)
- Control Dimension relating to Form - Fit - Function as defined by Cole Hersee Company and/or the Customer

(Note that the identification of any Characteristics as being "Special" does not alter the requirement that ALL specified dimensions & tolerances must be met.)

Cole Hersee Co.
 20 Old Colony Ave., South Boston, MA, 02127
 Phone: 617-268-2100 Web: www.colehersee.com

Description:
SW, SPDT, MOM, TOGGLE

Used On or Ref.:	Scale: 1:1	Drawn By: RZ	Date Drawn: 5-6-65	Responsible Engineer: NA	Pg. 1 of 1
------------------	-------------------	---------------------	---------------------------	---------------------------------	------------

Drawing / Part No.:	551843	Current Rev.:	H
---------------------	---------------	---------------	----------