

4

3

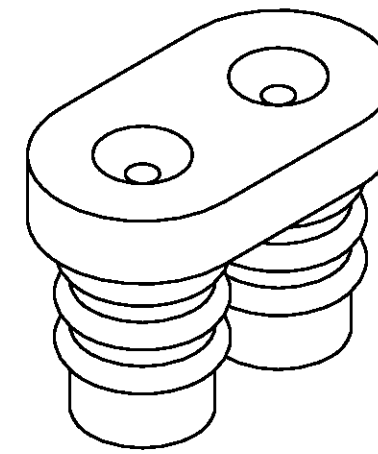
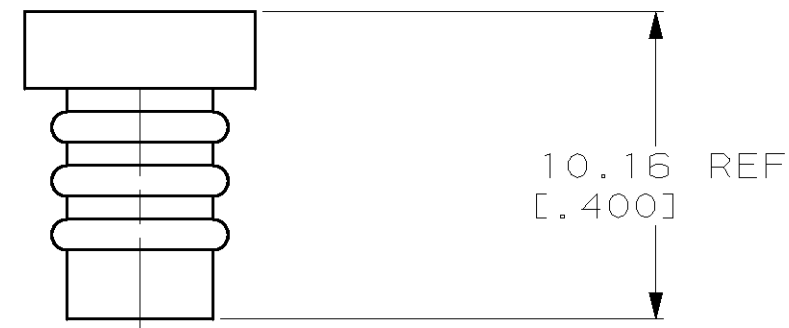
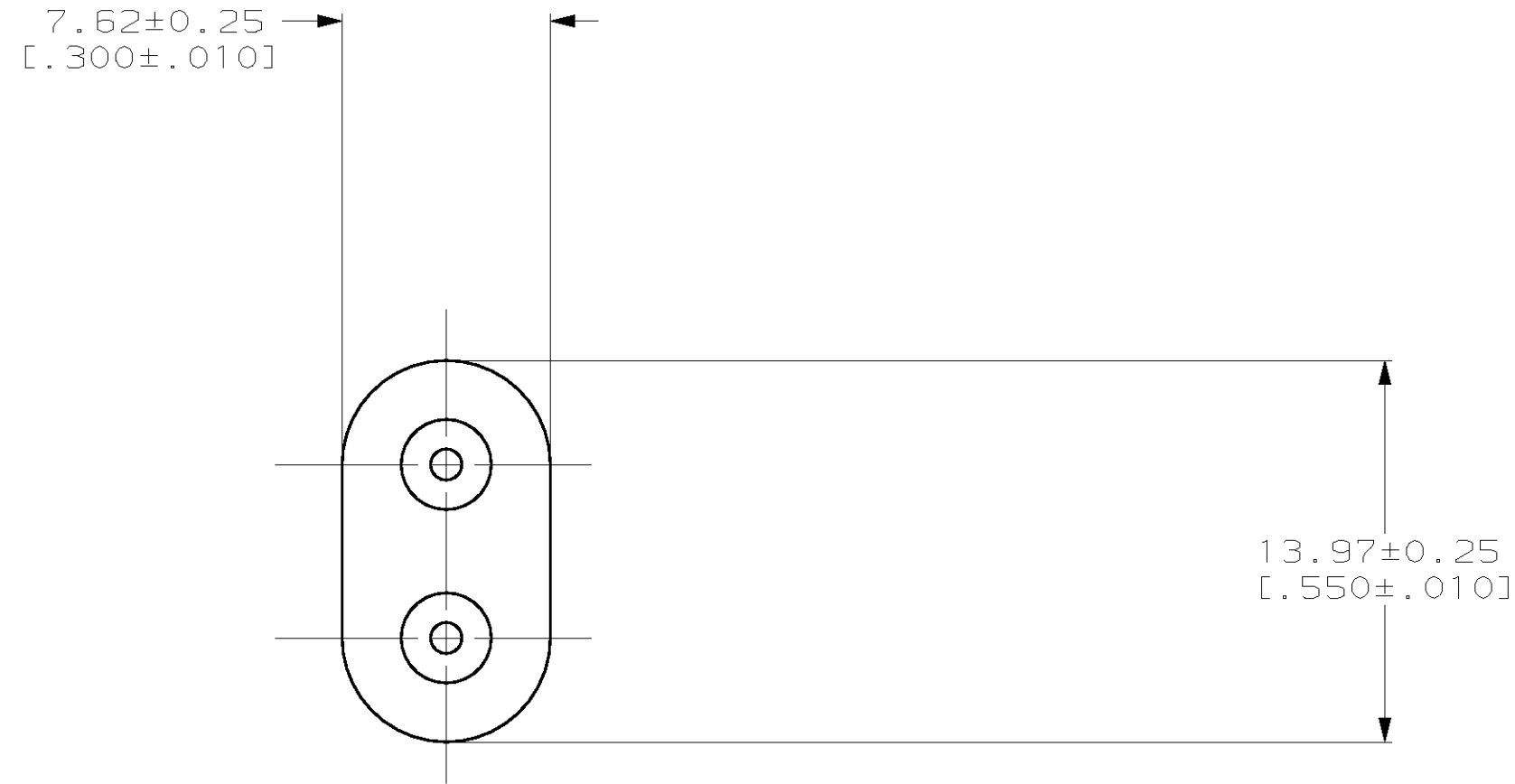
2

1

THIS DRAWING IS UNPUBLISHED. RELEASED FOR PUBLICATION .19
 (C) COPYRIGHT 19 BY AMP INCORPORATED. ALL RIGHTS RESERVED.

LOC		DIST		REVISIONS			
P	LTR	DESCRIPTION	DATE	DWN	APVD		
CM	53	A	REV PER EC 0G1B-0062-98	4-2-98	JH	RS	

- 1. MATERIAL: SELF LUBRICATING SILICON RUBBER
COLOR: BLUE
- 2. DIMENSIONS IN BRACKETS ARE IN INCHES.



3-DIMENSIONAL MODEL NTS

794270-1
PART NUMBER

METRIC

THIS DRAWING IS A CONTROLLED DOCUMENT.		DWN	B. LEWIS	3-25-97	 AMP Incorporated Harrisburg, PA 17105-3608					
DIMENSIONS:		CHK	R. SWING	3-25-97						
INCHES		APVD	D. SELF	3-25-97						
TOLERANCES UNLESS OTHERWISE SPECIFIED: 0 PLC ± 1 PLC ± 2 PLC ± 3 PLC ±0.13 [.005] 4 PLC ± ANGLES ±0°30'		PRODUCT SPEC	-							
MATERIAL		FINISH	-		APPLICATION SPEC	-				
		MATERIAL		WEIGHT	-		SIZE	CAGE CODE	DRAWING NO	RESTRICTED TO
-		-		CUSTOMER DRAWING		A2 00779		C-794270	-	
SCALE		4:1		SHEET		1 OF 1		REV		A

794270

B

A