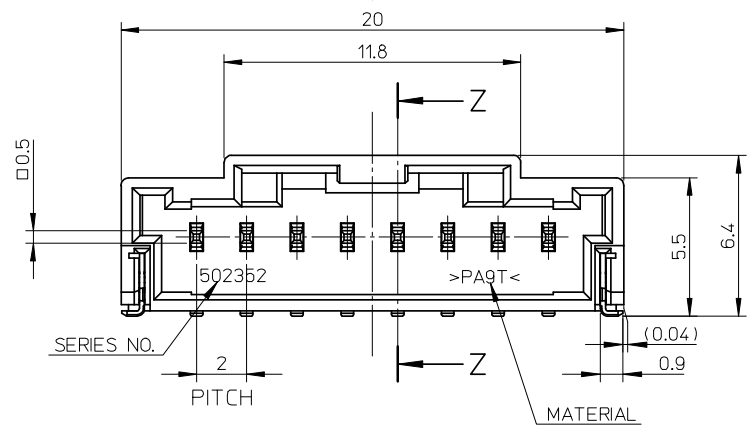
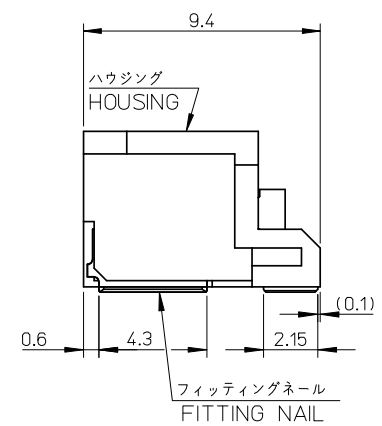


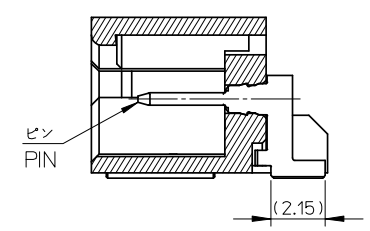
参考基板取り付け寸法(N=極数)



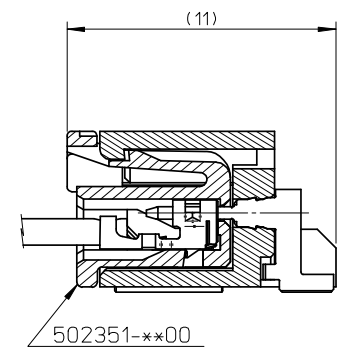
8CKTS



フィッティングネール FITTING NAIL



SECTION Z-Z



嵌合寸法

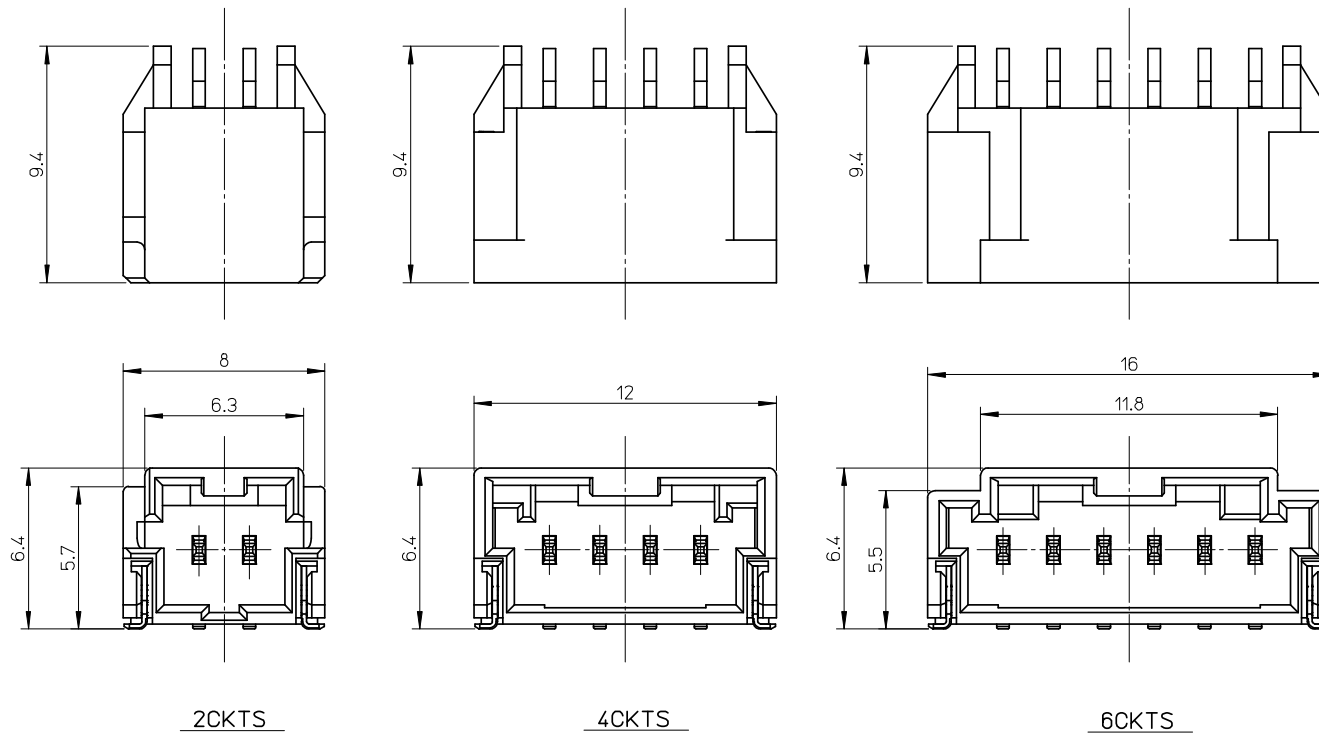
注記 NOTES

- 材質
ハウジング: 耐熱性ナイロン
ピン、フィッティングネール: 銅合金、ニッケル下地、錫メッキ
MATERIAL
HOUSING: POLYAMIDE
PIN, FITTING NAIL: COPPER ALLOY, TIN OVER NICKEL PLATE.
- 色: ナチュラル
COLOR: NATURAL
- 嵌合相手: 502351シリーズ
MATES WITH 502351 SERIES.
- エンボス梱包品の詳細はSD-502352-002参照
DETAILED TAPING PACKAGE, SEE SD-502352-002.
- ELV及びRoHS適合
ELV AND RoHS COMPLIANT

502352-0808	8
502352-0608	6
502352-0408	4
502352-0208	2
MATERIAL NO.	CKTS

RELEASED EC NO.: JTR2008-0007 DRWNSHSHIBATA 2008/01/23 CHKD:HKOMATSU 2008/01/23 APPR:AKANESHIGE 2008/01/23	DESCRIPTION	GENERAL TOLERANCES (UNLESS SPECIFIED)		DIMENSION STYLE MM ONLY		SCALE 5:1	DESIGN UNITS METRIC	THIRD ANGLE PROJECTION	
		10 UNDER	± 0.2	DRAWN BY SHSHIBATA	DATE 2007/12/18	TITLE 2.0MM PITCH W/B CONN. WAFER ASSY R/A SMT			
		10 OVER 30 UNDER	± 0.25	CHECKED BY HKOMATSU	DATE 2007/12/18	MOLEX INCORPORATED DOCUMENT NO. SD-502352-001 SHEET NO. 1 OF 2			
		30 OVER	± 0.3	APPROVED BY AKANESHIGE	DATE 2007/12/18				
REV	ANGULAR ±3° DRAFT WHERE APPLICABLE MUST REMAIN WITHIN DIMENSIONS	SEE CHART		THIS DRAWING CONTAINS INFORMATION THAT IS PROPRIETARY TO MOLEX INCORPORATED AND SHOULD NOT BE USED WITHOUT WRITTEN PERMISSION					

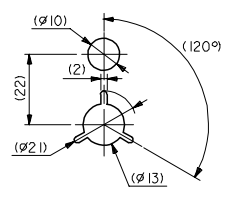
10 9 8 7 6 5 4 3 2 1



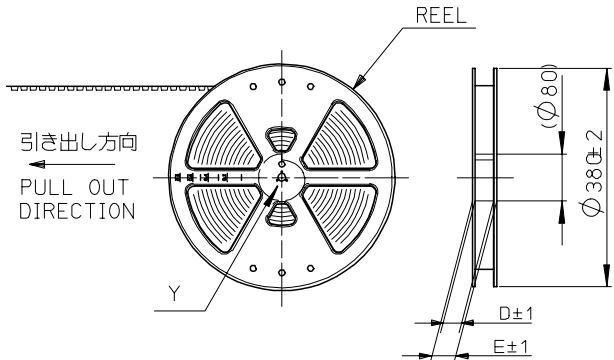
RELEASED EC NO: JTR2008-0007 DRWN: SHSHIBATA 2008/01/23 CHK'D: HKOMATSU 2008/01/23 APPR: AKANESHIGE 2008/01/23	GENERAL TOLERANCES (UNLESS SPECIFIED)		DIMENSION STYLE MM ONLY	SCALE 5:1	DESIGN UNITS METRIC	THIRD ANGLE PROJECTION
	10 UNDER	±0.2	DRAWN BY SHSHIBATA	DATE 2007/12/18	TITLE 2.0MM PITCH W/B CONN. WAFER ASSY R/A SMT	
	10 OVER 30 UNDER	±0.25	CHECKED BY HKOMATSU	DATE 2007/12/18		
	30 OVER	±0.3	APPROVED BY AKANESHIGE	DATE 2007/12/18	MOLEX INCORPORATED	
	ANGULAR ±3 °	DRAFT WHERE APPLICABLE MUST REMAIN WITHIN DIMENSIONS	MATERIAL NO. SEE CHART	DOCUMENT NO. SD-502352-001		
0	REV	THIS DRAWING CONTAINS INFORMATION THAT IS PROPRIETARY TO MOLEX INCORPORATED AND SHOULD NOT BE USED WITHOUT WRITTEN PERMISSION				

10 9 8 7 6 5 4 3 2 1

F
E
D
C
B
A

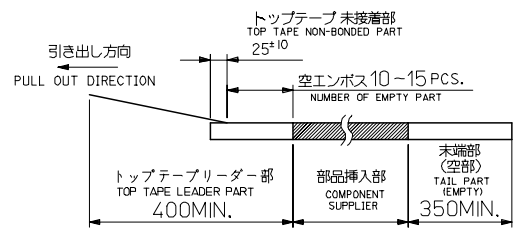
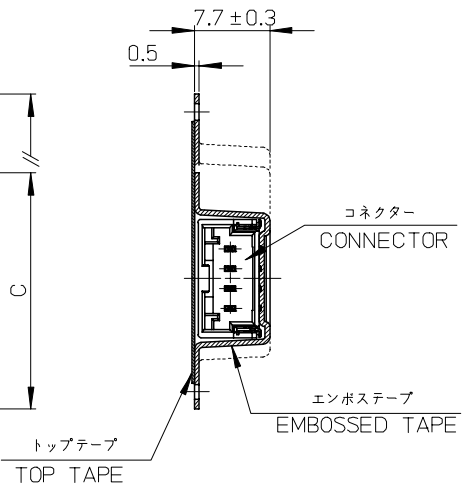
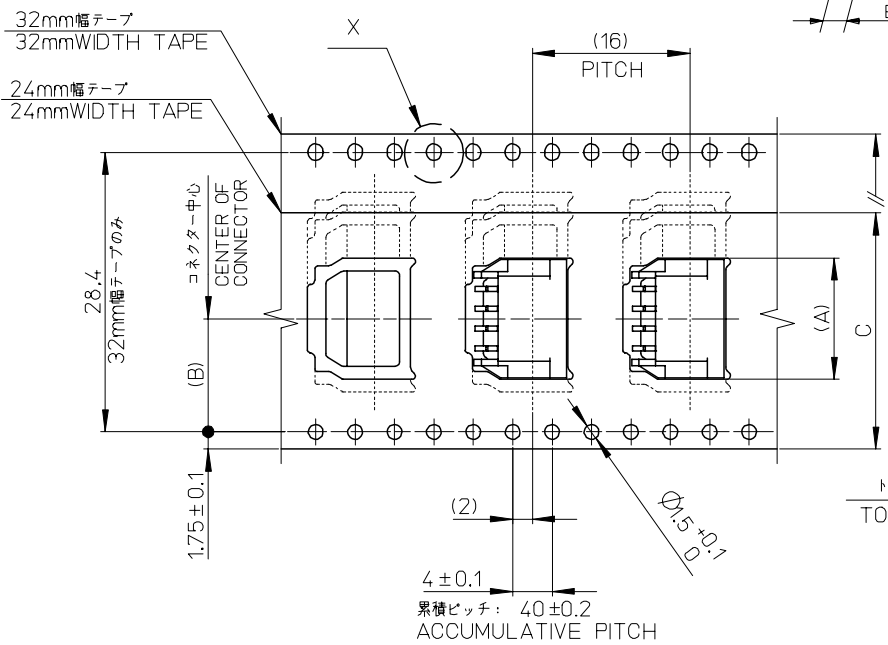


DETAIL Y



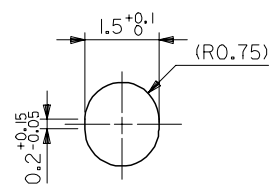
注記
NOTES

- 製品番号502352-**00 詳細寸法については、製品単体図面を参照下さい。
PART NO. 502352-**00 . SEE SALES DRAWING FOR CONNECTOR
- 梱包数量： 700個/リール
NUMBER OF CONNECTORS 700PCS/REEL
- リードテープ長さ
LEAD TAPE LENGHT



4. 材料
MATERIAL
キャリアテープ： ポリスチレン
CARRIER TAPE: POLYSTYRENE
トップテープ： PET, PE, PEF
TOP TAPE
リール： ポリスチレン
REEL: POLYSTYRENE

37.4	33.4	32	14.2	20.3	502352-0808	502352-0800	8
				16.3	502352-0608	502352-0600	6
29.4	25.4	24	11.5	12.3	502352-0408	502352-0400	4
				8.3	502352-0208	502352-0200	2
E	D	C	(B)	(A)	CONNECTOR	エンボス梱包品 製品番号 MATERIAL NO.	極数 CKT.



DETAIL X
(SCALE 10:1)

引き出し方向
PULL OUT DIRECTION

エンボステープ内の製品の向き
DIRECTION OF CONNECTOR
IN EMBOSSED TAPE

REVISED EC NO: J2008-0463 DRW:SHIBATA 2007/09/26 CHKD:KOMATSU 2007/09/27 APPR:AKANESHIGE 2007/09/27	GENERAL TOLERANCES (UNLESS SPECIFIED)		DIMENSION STYLE MM ONLY		SCALE ---	DESIGN UNITS METRIC	THIRD ANGLE PROJECTION
	10 UNDER	±0.2	DRAWN BY SHSHIBATA	DATE 2007/6/6	TITLE 2.0MM PITCH W/B CONN. WAFER ASSY EMBOSSED TAPE PACKAGE		
	10 OVER 30 UNDER	±0.25	CHECKED BY TAITO	DATE 2007/6/6	MOLEX INCORPORATED		
	30 OVER	±0.3	APPROVED BY AKANESHIGE	DATE 2007/6/6	MATERIAL NO. DOCUMENT NO. SHEET NO.		
	ANGULAR	±1 °	SEE CHART		SD-502352-002		1 OF 1
DRAFT WHERE APPLICABLE MUST REMAIN WITHIN DIMENSIONS		THIS DRAWING CONTAINS INFORMATION THAT IS PROPRIETARY TO MOLEX INCORPORATED AND SHOULD NOT BE USED WITHOUT WRITTEN PERMISSION					