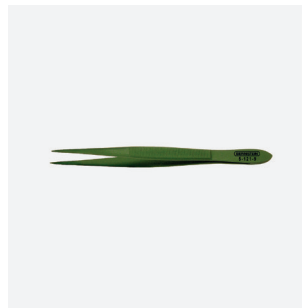
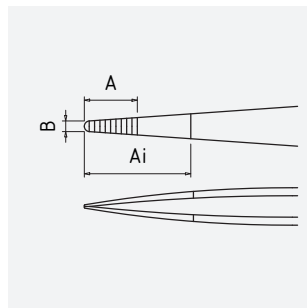


# Anatomical tweezers 120 mm form 16 serrated, PTFE coated

<b>Art.-No.</b>	5-121-9
<b>Description</b>	Anatomical tweezers 120 mm form 16 serrated, PTFE coated
<b>Application</b>	Electronics, precision mechanics, robotics, watchmakers, jewelers, medical technology
<b>Specification</b>	with serration
<b>Material</b>	alloyed tool steel
<b>Surface/Coating</b>	PTFE coated
<b>Features</b>	antiallergical coated, heat-resistant
<b>Surface resistance</b>	/
<b>Shape</b>	NG: Normal tips straight
<b>Icon No.</b>	NG5

## Dimensions and weight

A = 10 mm  
B = 1 mm  
Ai = /



length 120 mm  
weight 13 g

## Application and technical data

Steel mechanic's tweezers, heavy model, straight round wide with serrations, with non-slip grip grooves for a secure grip.

Due to its special properties, PTFE is often used in the laboratory. Chemical resistant, easy to clean and sanitize, anti-stick property lotus effect, high temperature resistant (from -270 to +280°C / +536°F) weather and UV resistant, very slippery with extremely low coefficient of friction, stainless, non-antimagnetic, insulating.

Tool steel, corrosion protection by surface treatment