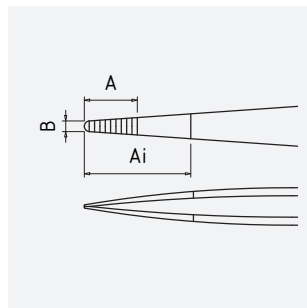


Anatomical tweezers 145 mm form 40 serrated, PTFE coated

| | |
|---------------------------|---|
| Art.-No. | 5-117-9 |
| Description | Anatomical tweezers 145 mm form 40 serrated, PTFE coated |
| Application | Electronics, precision mechanics, robotics, watchmakers, jewelers, medical technology |
| Specification | with serration |
| Material | alloyed tool steel |
| Surface/Coating | PTFE coated |
| Features | antiallergical coated, heat-resistant |
| Surface resistance | / |
| Shape | NG: Normal tips straight |
| Icon No. | NG5 |

Dimensions and weight

A = 16 mm
B = 3 mm
Ai = /



length 145 mm
weight 29 g

Application and technical data

Steel mechanic tweezers, heavy model, straight round wide with serration.

Due to its special properties, PTFE is often used in the laboratory. Chemical resistant, easy cleaning and sanitizing, anti-stick property lotus effect, high temperature resistant (from -270 to +280°C / +536°F) weather and UV resistant, very slippery with extremely low coefficient of friction, stainless, non-antimagnetic, insulating.

Tool steel, corrosion protection by surface treatment