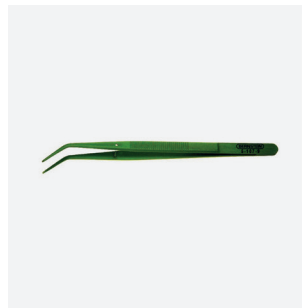
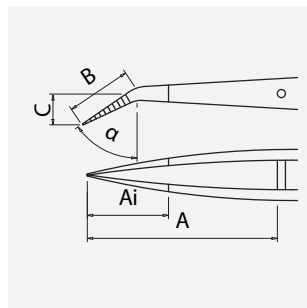


Anatomical tweezers 150 mm Form 22b with guide pin serrated, PTFE coated

Art.-No.	5-107-9
Description	Anatomical tweezers 150 mm Form 22b with guide pin serrated, PTFE coated
Application	Electronics, precision mechanics, robotics, watchmakers, jewelers, medical technology
Specification	with serration
Material	alloyed tool steel
Surface/Coating	PTFE coated
Features	antiallergical coated, heat-resistant
Surface resistance	/
Shape	NB: Normal tips bent
Icon No.	NB2

Dimensions and weight

A = 45 mm
 B = 18 mm
 C = 10 mm
 Ai = /
 angle = 60°



length 150 mm
 weight 22 g

Application and technical data

Mechanic's tweezers with non-slip grip grooves for a secure hold, bent tips, fine serrated.

Due to its special properties, PTFE is often used in the laboratory. Chemical resistant, easy to clean and sanitize, anti-stick property lotus effect, high temperature resistant (from -270 to +280°C / +536°F) weather and UV resistant, very slippery with extremely low coefficient of friction, stainless, non-antimagnetic, insulating.

Tool steel, corrosion protection by surface treatment