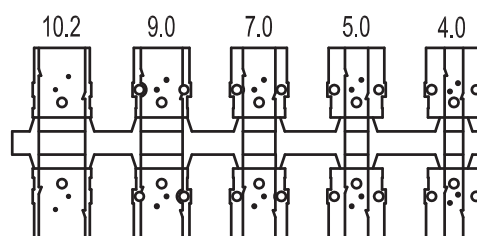
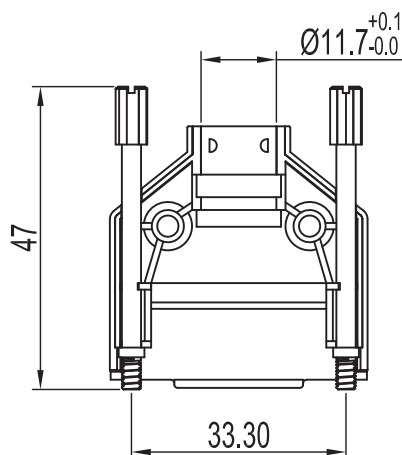
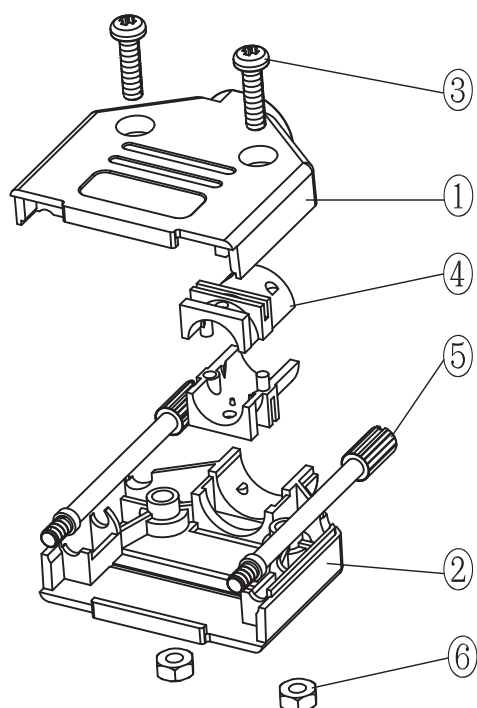
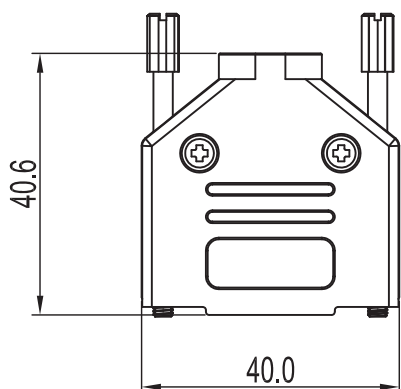


| No. | Changes and/or Note No. | Date | Intr | No | Changes and/or Note No. | Date | Intr |
|-----|-------------------------|------|------|----|-------------------------|------|------|
| | | | | | | | |



Grommet Set

| Part Number: | Description: | Pack: | Item | QTY | Part description |
|--------------|--------------|-------|------|-----|-----------------------|
| 6560-0108-02 | DTPK15-P-K | Kit | 1 | 1 | DTPK15-Upper cover |
| | | | 2 | 1 | DTPK15-Lower cover |
| | | | 3 | 2 | M3X11.5 Screw |
| 6561-0108-02 | DTPK15-P | Bulk | 4 | 1 | D45ZK-D2 Grommet set |
| | | | 5 | 2 | UNC 4-40X47 Jackscrew |
| | | | 6 | 2 | M3 Nut |

| | | | | |
|---------------------|---------------|--------|----------------|--|
| DATE: 2011-04-10 | DRAWN: MRR | SCALE: | MATERIAL TYPE: | GENERAL TOLERANCES UNLESS OTHERWISE STATED LINEAR 0 ±0.20 0.0 ±0.15 0.00 ±0.10 ANGULAR ±0°30' ALL DIMENSIONS IN mm THIRD ANGLE PROJECTION |
| | APPROVED: | | REPLACES: | |

| | | | | |
|--|------------------------|--|-------------|-----------|
| | <h1>DTPK-P-SERIES</h1> | | DRAWING No: | 6688-9582 |
| | | | | |