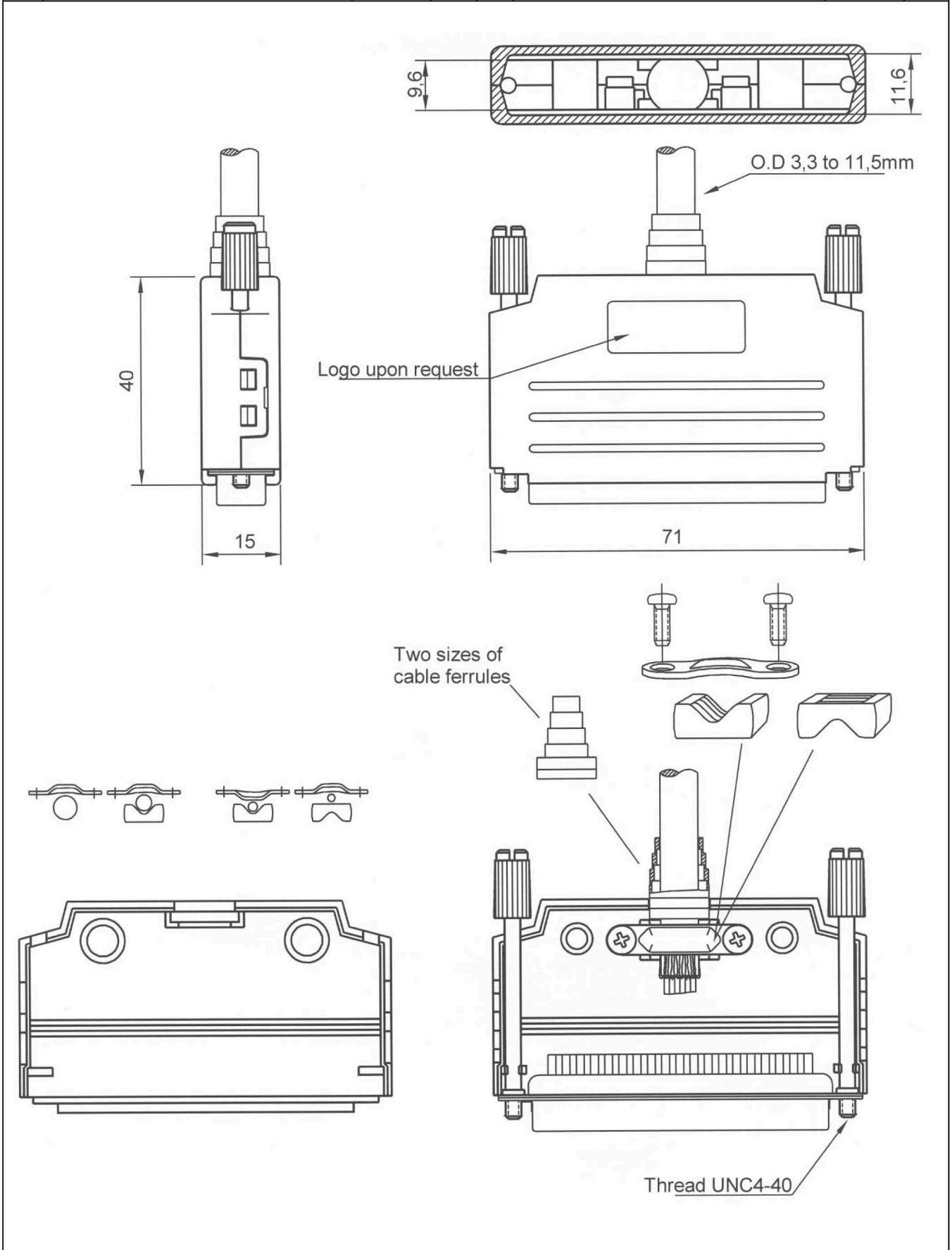


No.	Changes and/or Note No.	Date	Intr.	No.	Changes and/or Note No.	Date	Intr.



DATE 950405	DRAWN GMN	SCALE 1:1	MATERIAL TYPE
6260-0105-04 6261-0105-04	APPROVED		REPLACES
DPPK-M-37			DRAWING No 6688-9428