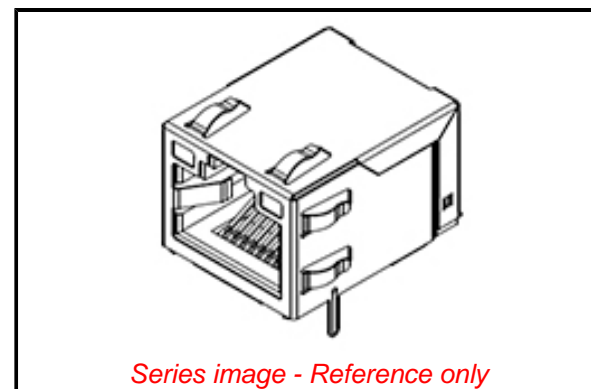


PLEASE CHECK WWW.MOLEX.COM FOR LATEST PART INFORMATION

Part Number: [0480749101](#)
Status: **Active**
Overview: [Magnetic Jacks](#)
Description: Modular Jack, Right-Angle, Surface Mount, with Integrated Magnetics and LED, with all Panel Grounding Tabs, 8/8, Lead-Free

Documents:

3D Model	Product Specification PS-48074-006-001 (PDF)
3D Model (PDF)	Packaging Specification PK-48074-101-001 (PDF)
Drawing (PDF)	Test Summary TS-48074-006-001 (PDF)
Product Specification PS-48074-005-001 (PDF)	RoHS Certificate of Compliance (PDF)



General

Product Family	Modular Jacks/Plugs
Series	48074
Comments	With LED, Surface Mount Type
Component Type	PCB Jack
Magnetic	Yes
Overview	Magnetic Jacks
Performance Category	5, 5e
Power over Ethernet (PoE)	Non-PoE
Product Name	Modular Jack 8/8, RJ45
Taxonomy	Modular Jacks and Plugs
UPC	887191646923

Physical

Boot Color	N/A
Color - Resin	Black
Durability (mating cycles max)	750
Inverted / Top Latch	Yes
Jack Height	13.30mm
Keying to Mating Part	Yes
Lightpipes/LEDs	LEDs
Material - Metal	Brass, Phosphor Bronze
Material - Plating Mating	Gold
Material - Plating Termination	Tin
Material - Resin	High Temperature Thermoplastic
Net Weight	5.600/g
Orientation	Right Angle (Side Entry)
PCB Locator	Yes
PCB Retention	Yes
PCB Thickness - Recommended	1.60mm
Packaging Type	Embossed Tape on Reel
Pitch - Mating Interface	1.02mm
Pitch - Termination Interface	1.02mm
Plating min - Mating	0.762µm
Plating min - Termination	2.540µm
Port Configuration	1x1
Positions / Loaded Contacts	8/8
Surface Mount Compatible (SMC)	Yes
Temperature Range - Operating	-40° to +85°C
Termination Interface: Style	Surface Mount
Waterproof / Dustproof	No
Wire/Cable Type	N/A

Electrical

Current - Maximum per Contact	1.5A
-------------------------------	------

EU ELV

Not Relevant

EU RoHS

Compliant

REACH SVHC

Not Contained Per -
D(2022)4187-DC (10
June 2022)

Halogen-Free

Status

Not Low-Halogen

For more information, please visit [Contact US](#)

China ROHS

ELV

RoHS Phthalates

China RoHS

Green Image

Not Relevant

Not Contained

Search Parts in this Series

[48074 Series](#)

Mates With

FCC 68 Plugs

Grounding to PCB	Yes
Grounding to Panel	With All Panel Grounding Tabs
Shielded	Yes
Voltage - Maximum	5.5V DC

Material Info

Reference - Drawing Numbers

Packaging Specification	PK-48074-101-001
Product Specification	PS-48074-005-001, PS-48074-006-001
Sales Drawing	SD-48074-102-001
Test Summary	TS-48074-006-001

This document was generated on 01/02/2023

PLEASE CHECK WWW.MOLEX.COM FOR LATEST PART INFORMATION