

SITOR fuse link, with blade contacts, NH00, In: 100 A, aR, Un AC: 690 V, Un DC: 440 V, Front indicator



Figure similar

Model	
product brandname	SETRON
Design of an identification indicator	front indicator
Design of the fuse link	SITOR, LV HRC design
General technical data	
Size of fuse system / acc. to DIN EN 60269-1	NH00
Operating class of the fuse link	aR
circuit-breaker / Design	3NE
Varying load factor (WL)	0.95
Supply voltage / at DC	440 V
Switching capacity	
Switching capacity current	
<ul style="list-style-type: none"> <li>acc. to IEC 60947-2 / rated value</li> </ul>	100 kA
Dissipation	
Power loss [W]	

- for rated value of the current / at AC / in hot operating state / per pole 22 W
- maximum 22 W

### Electricity

rated current I <sub>n</sub> / IEC, DIN/VDE / at 40 Cel	100 A
Current / at AC / rated value	100 A

### Mechanical Design

<b>Mounting position</b>	Any, preferably vertical
--------------------------	--------------------------

### Environmental conditions

<b>Ambient temperature</b>	
• minimum	-20 °C
• maximum	50 °C
<b>Environmental category</b>	-20 to +50 at 95% relative humidity

### Certificates

<b>Equipment marking</b>	
• acc. to DIN EN 61346-2	F
• acc. to DIN EN 81346-2	F

#### General Product Approval

#### Declaration of Conformity

other



[sonstig](#)

### Further information

#### Information- and Downloadcenter (Catalogs, Brochures,...)

<http://www.siemens.com/lowvoltage/catalogs>

#### Industry Mall (Online ordering system)

<https://eb.automation.siemens.com/mall/en/WW/Catalog/Product/3NE8021-1>

#### Service&Support (Manuals, Certificates, Characteristics, FAQs,...)

<http://support.automation.siemens.com/WW/view/en/3NE8021-1/all>

#### Image database (product images, 2D dimension drawings, 3D models, device circuit diagrams, ...)

[http://www.automation.siemens.com/bilddb/cax\\_en.aspx?mlfb=3NE8021-1](http://www.automation.siemens.com/bilddb/cax_en.aspx?mlfb=3NE8021-1)

#### CAX-Online-Generator

<http://www.siemens.com/cax>

#### Tender specifications

<http://www.siemens.com/specifications>

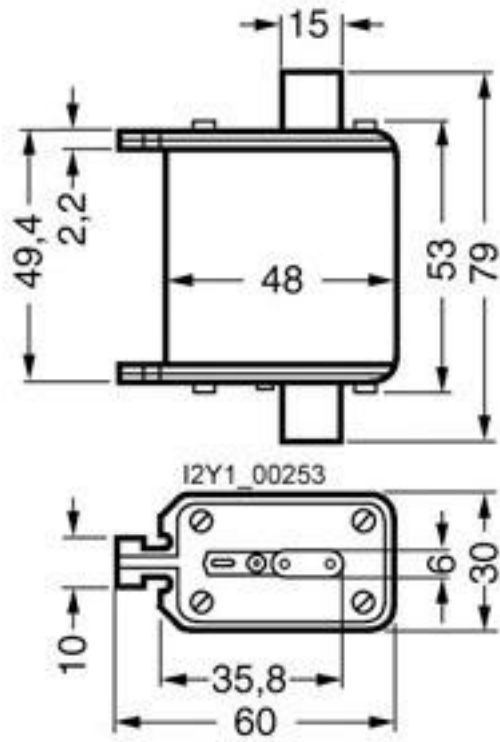


Figure similar