

SITOR FUSE-LINK SIZE 1 200A, AC 1000V



Figure similar

Model		
product brand name		SETRON
Design of an identification indicator		front indicator
Design of the fuse link		SITOR, LV HRC design
General technical data		
Size of fuse system / acc. to DIN EN 60269-1		NH1
Operating class of the fuse link		aR
circuit-breaker / Design		3NE
Varying load factor (WL)		0.95
Switching capacity		
Switching capacity current		
<ul style="list-style-type: none"> acc. to IEC 60947-2 / rated value 	kA	100
Dissipation		
Power loss [W]		
<ul style="list-style-type: none"> for rated value of the current / at AC / in hot operating state / per pole 	W	42
<ul style="list-style-type: none"> maximum 	W	42

Electricity		
rated current I _n / IEC, DIN/VDE / at 40 Cel	A	200
Current / at AC / rated value	A	200

Mechanical Design		
Mounting position		Any, preferably vertical

Environmental conditions		
Ambient temperature		
<ul style="list-style-type: none"> • minimum 	°C	-20
<ul style="list-style-type: none"> • maximum 	°C	50
Environmental category		-20 to +50 at 95% relative humidity

Certificates		
Equipment marking		
<ul style="list-style-type: none"> • acc. to DIN EN 61346-2 		F
<ul style="list-style-type: none"> • acc. to DIN EN 81346-2 		F

General Product Approval	Declaration of Conformity	other
		sonstig



[sonstig](#)

Further information

Information- and Downloadcenter (Catalogs, Brochures,...)

<http://www.siemens.com/lowvoltage/catalogs>

Industry Mall (Online ordering system)

<https://eb.automation.siemens.com/mall/en/WW/Catalog/Product/3NE3225>

Service&Support (Manuals, Certificates, Characteristics, FAQs,...)

<http://support.automation.siemens.com/WW/view/en/3NE3225/all>

Image database (product images, 2D dimension drawings, 3D models, device circuit diagrams, ...)

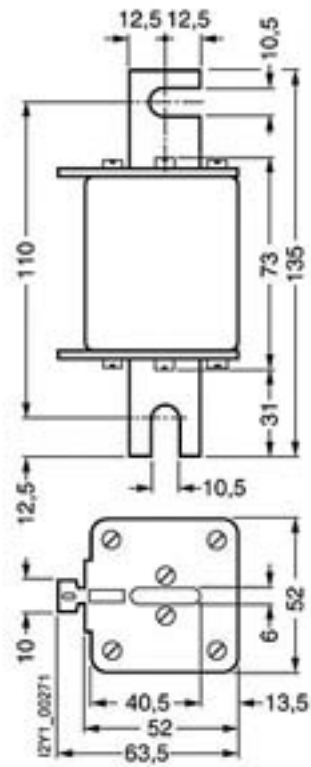
http://www.automation.siemens.com/bilddb/cax_en.aspx?mlfb=3NE3225

CAX-Online-Generator

<http://www.siemens.com/cax>

Tender specifications

<http://ausschreibungstexte.siemens.com/tiplv>



last modified:

12.04.2016