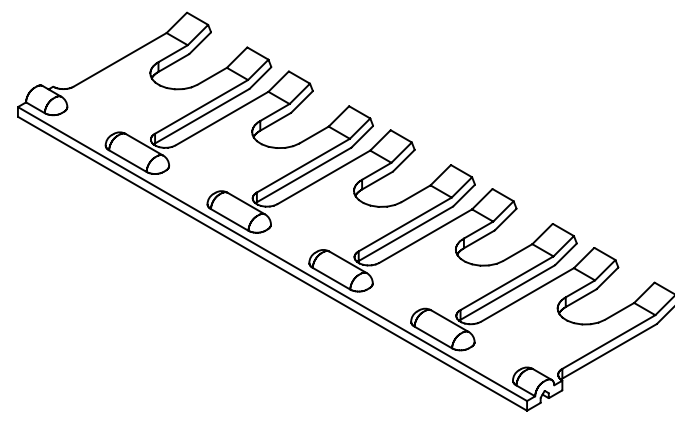
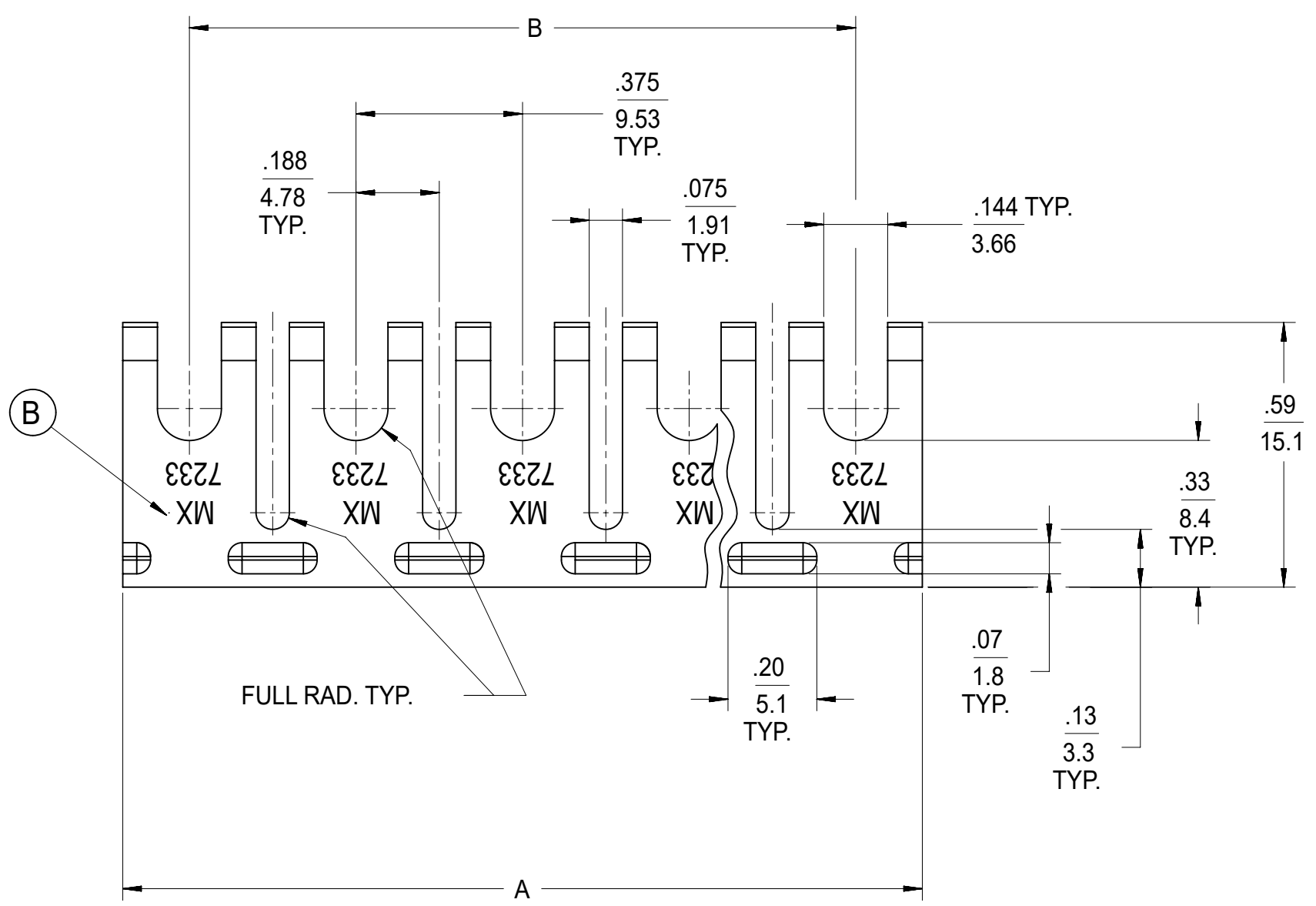


BEFORE BEND



5 CIRCUIT SHOWN
SCALE 2:1

NOTES:

- "XX" REFERS TO THE NUMBER OF CIRCUITS
- DIMS SHOWN ARE FOR REF. ONLY
- DIM "A" FOR 11 TO 48 CIRCUIT LENGTH WILL HAVE A TOLERANCE OF ±.015/0.40
- DIM "A" FOR 2 TO 10 CIRCUIT LENGTH WILL HAVE A TOLERANCE OF ±.01/0.3

MATERIAL NO. (FLAT)	MATERIAL NO. ON EDGE (FORMED)	NUMBER OF CIRCUITS "XX"	DIM "A"		DIM "B"	
C1	387236502	02	17.1	[.68]	9.53	[.375]
	387236603	03	26.7	[1.05]	19.05	[.750]
	387236604	04	36.2	[1.43]	28.58	[1.125]
C1	387236605	05	45.7	[1.80]	38.10	[1.500]
	387236506	06	55.2	[2.18]	47.63	[1.875]
	380021289	07	64.8	[2.55]	57.15	[2.250]
	387236608	08	74.3	[2.93]	66.68	[2.625]
	380021291	09	83.8	[3.30]	76.20	[3.000]
	387236510	10	93.3	[3.68]	85.73	[3.375]
	387236511	11	102.9	[4.05]	95.25	[3.750]
	387236512	12	112.4	[4.43]	104.78	[4.125]
	387236513	13	121.9	[4.80]	114.30	[4.500]
	387236514	14	131.4	[5.18]	123.83	[4.875]
	387236615	15	141.0	[5.55]	133.35	[5.250]
	387236516	16	150.5	[5.93]	142.88	[5.625]
		17	160.0	[6.30]	152.40	[6.000]
	387236518	18	169.5	[6.68]	161.93	[6.375]
		19	179.1	[7.05]	171.45	[6.750]
	387236620	20	188.6	[7.43]	180.98	[7.125]
	387236522	22	207.6	[8.18]	200.03	[7.875]
	387236524	24	226.7	[8.93]	219.08	[8.625]
		25	236.2	[9.30]	228.60	[9.000]
		26	245.7	[9.68]	238.13	[9.375]
		27	255.3	[10.05]	247.65	[9.750]
		28	264.8	[10.43]	257.18	[10.125]
		29	274.3	[10.80]	266.70	[10.500]
	387236630	30	283.8	[11.18]	276.23	[10.875]
		31	293.4	[11.55]	285.75	[11.250]
		32	302.9	[11.93]	295.28	[11.625]
		33	312.4	[12.30]	304.80	[12.000]
		34	321.9	[12.68]	314.33	[12.375]
		35	331.5	[13.05]	323.85	[12.750]
		36	341.0	[13.43]	333.38	[13.125]
		37	350.5	[13.80]	342.90	[13.500]
		38	360.0	[14.18]	352.43	[13.875]
		39	369.6	[14.55]	361.95	[14.250]
		40	379.1	[14.93]	371.48	[14.625]
		41	388.6	[15.30]	381.00	[15.000]
		42	398.1	[15.68]	390.53	[15.375]
		43	407.7	[16.05]	400.05	[15.750]
		44	417.2	[16.43]	409.58	[16.125]
		45	426.7	[16.80]	419.10	[16.500]
		46	436.2	[17.18]	428.63	[16.875]
		47	445.8	[17.55]	438.15	[17.250]
	C1	48	455.3	[17.93]	447.68	[17.625]

FUNCTIONAL SYMBOLS $\frac{F}{A} = 0$ $\frac{F}{C} = 0$ $\frac{F}{P} = 0$ DIVISIONAL SYMBOLS	THIS DRAWING CONTAINS INFORMATION THAT IS PROPRIETARY TO MOLEX ELECTRONIC TECHNOLOGIES, LLC AND SHOULD NOT BE USED WITHOUT WRITTEN PERMISSION		CURRENT REV DESC: RMV OBSO PN: 387236602. ADD MISSING PN: 387236605 & 380021293.		 JUMPER TERMINAL PRODUCT CUSTOMER DRAWING
	DIMENSION UNITS: INCH/MM SCALE: 1:1		GENERAL TOLERANCES (UNLESS SPECIFIED)		
	4 PLACES ± ± 3 PLACES ± ± 0.005 2 PLACES ± 0.13 ± 0.01 1 PLACE ± 0.3 ± 0 PLACES ± ±		EC NO: 718602 DRWN: DMYRICK 2022/08/22 CHK'D: JMACNEIL 2022/08/22 APPR: JMACNEIL 2022/08/22		
	ANGULAR TOL ± 1.0 ° DRAFT WHERE APPLICABLE MUST REMAIN WITHIN DIMENSIONS		INITIAL REVISION: DRWN: APPR:		
DOCUMENT STATUS: P1 RELEASE DATE: 2022/08/22 15:42:34		THIRD ANGLE PROJECTION 		DOCUMENT NUMBER: SD-38002-002 DOC TYPE: PSD DOC PART: 001 REVISION: C1	
MATERIAL NUMBER: 38002 CUSTOMER: GENERAL MARKET		DRAWING: C-SIZE SERIES: 38002		SHEET NUMBER: 1 OF 1	

1	JUMPER TERMINAL	BRASS	NICKEL PLATE
ITEM	DESCRIPTION	MATERIAL	FINISH