

PLEASE CHECK WWW.MOLEX.COM FOR LATEST PART INFORMATION

Part Number: [0353621050](#)
Status: **Active**
Overview: [Sherlock Wire-to-Board Connector System](#)
Description: 2.00mm Pitch Sherlock Wire-to-Board Header, Vertical, with Positive Lock, 10 Circuits, with Kinked PC Tails, Natural

Documents:

3D Model	Product Specification PS-35507-003-001 (PDF)
3D Model (PDF)	Packaging Specification PK-35362-001-001 (PDF)
Drawing (PDF)	RoHS Certificate of Compliance (PDF)

Agency Certification

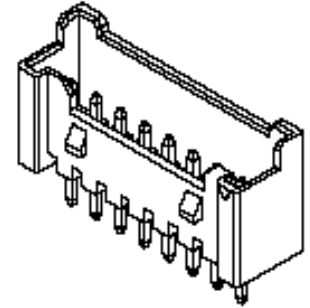
CSA	LR19980
UL	E29179

General

Product Family	PCB Headers
Series	35362
Application	Signal, Wire-to-Board
Component Type	PCB Header
Overview	Sherlock Wire-to-Board Connector System
Product Name	Sherlock
Taxonomy	PCB Headers and Receptacles
UPC	822348259809

Physical

Breakaway	No
Circuits (Loaded)	10
Circuits (maximum)	10
Color - Resin	Natural
Durability (mating cycles max)	30
First Mate / Last Break	No
Flammability	94V-0
Glow-Wire Capable	No
Guide to Mating Part	No
Keying to Mating Part	None
Lock to Mating Part	Yes
Mated Height	8.50mm
Material - Plating Mating	Tin
Material - Plating Termination	Tin
Material - Resin	Nylon
Net Weight	570.900/mg
Number of Rows	1
Orientation	Vertical
PC Tail Length	3.30mm
PCB Locator	No
PCB Retention	Yes
PCB Thickness - Recommended	1.60mm
Packaging Type	Bag
Pitch - Mating Interface	2.00mm
Pitch - Termination Interface	2.00mm
Polarized to Mating Part	Yes
Polarized to PCB	No
Shrouded	Partial
Stackable	No
Surface Mount Compatible (SMC)	No
Temperature Range - Operating	-40° to +105°C



Series image - Reference only

EU ELV

Not Relevant

EU RoHS

Compliant

REACH SVHC

Not Contained Per -
D(2022)4187-DC (10
June 2022)

Halogen-Free

Status

Low-Halogen

For more information, please visit [Contact US](#)

China ROHS

ELV

RoHS Phthalates

China RoHS

Green Image

Not Relevant

Not Contained

Search Parts in this Series

[35362](#) Series

Mates With

[35507](#) Sherlock Wire-to-Board Housing

Use With

[502128000](#) Terminal

Termination Interface: Style

Through Hole

Electrical

Current - Maximum per Contact

2.0A

Voltage - Maximum

125V

Material Info

Reference - Drawing Numbers

Packaging Specification

PK-35362-001-001

Product Specification

PS-35507-003-001

Sales Drawing

SD-35362-002-001, SD-35362-002-002

This document was generated on 01/07/2023

PLEASE CHECK WWW.MOLEX.COM FOR LATEST PART INFORMATION