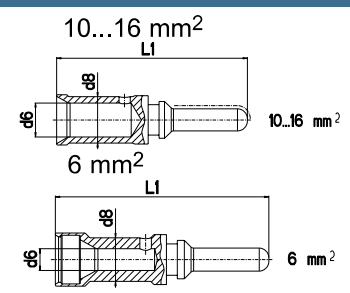


Machined Pin Crimp Contacts, Standard Silver Plated

Order No.	d6	d8	L1
430-8645-000 (6,00 mm ²) *	3,4	6,8	33,4
430-8645-009 (10,00 mm ²)	4,3	6,8	30,9
430-8645-003 (AWG 8)	3,8	6,8	30,9
430-8645-002 (AWG 6)	5,3	6,8	30,9
430-8645-007 (16,00 mm ²)	5,5	7,5	30,9

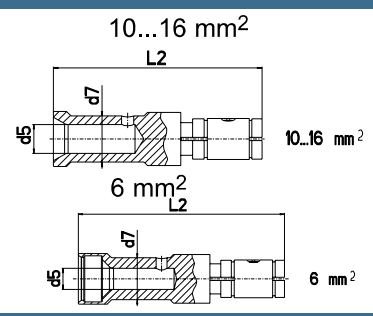
Packaging unit 100 pcs.
* use individual wire seal or grommet



Machined Socket Crimp Contacts, Standard Silver Plated

Order No.	d5	d7	L2
031-8646-010 (6,00 mm ²) *	3,4	6,8	33,4
031-8646-011 (10,00 mm ²)	4,3	6,8	30,9
031-8646-002 (AWG 8)	3,8	6,8	30,9
031-8646-003 (AWG 6)	5,3	6,8	30,9
031-8646-001 (16,00 mm ²)	5,5	7,5	30,9

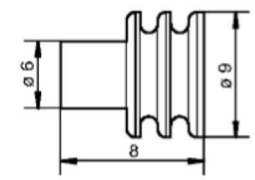
Packaging unit 100 pcs.
* use individual wire seal or grommet



Individual Wire Seals For High Power 2-way 6 mm² only

Designation	Order No.:
16GN5824	121668-0035

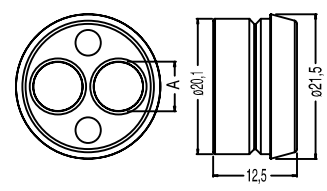
wire insulation \varnothing 4,3 - 4,8 mm / green



Grommet/Cable Seal for Cable (acc. to DIN 670722 FLY/DIN 72551 FLRY) For High Power 2-way

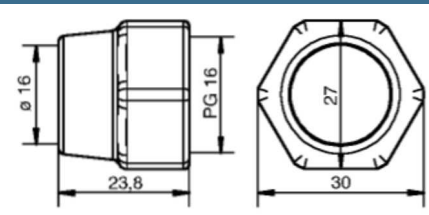
Order No.	Wire Insulation \varnothing	\varnothing A mm
351-8697-000 (6,00 mm ²)	4,2 - 5,8	3,8
351-8697-007 (10,00 mm ²)	5,7 - 7,3	5,3
351-8697-010 (16,00 mm ²)	6,8 - 8,3	6,5

Packaging unit 100 pcs.



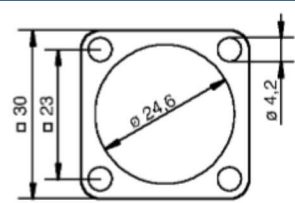
Hexagonal Nut For High Power 2-way

Order No. 217-8516-010
Packaging unit 100 pcs.



Flange Gasket For Flange Receptacle, High Power 2-way

Order No.
075-8503-000 (-55/125°C)
075-8503-004 (-30/200°C)
Packaging unit 100 pcs.



Dimensions shown in mm
Specifications and dimensions subject to change