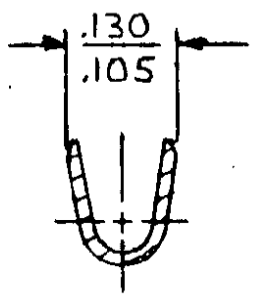
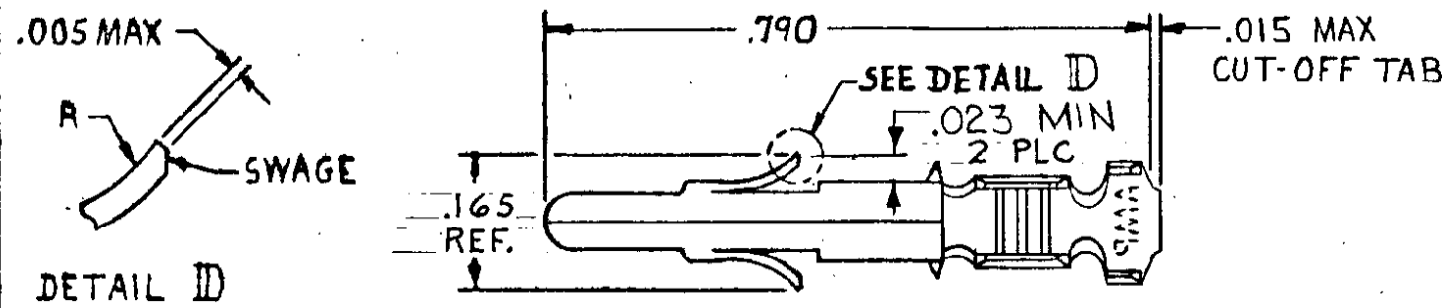
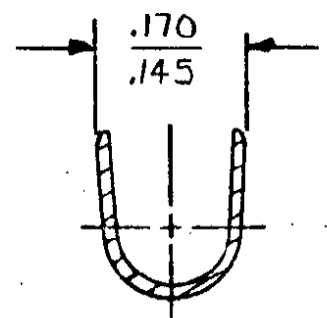
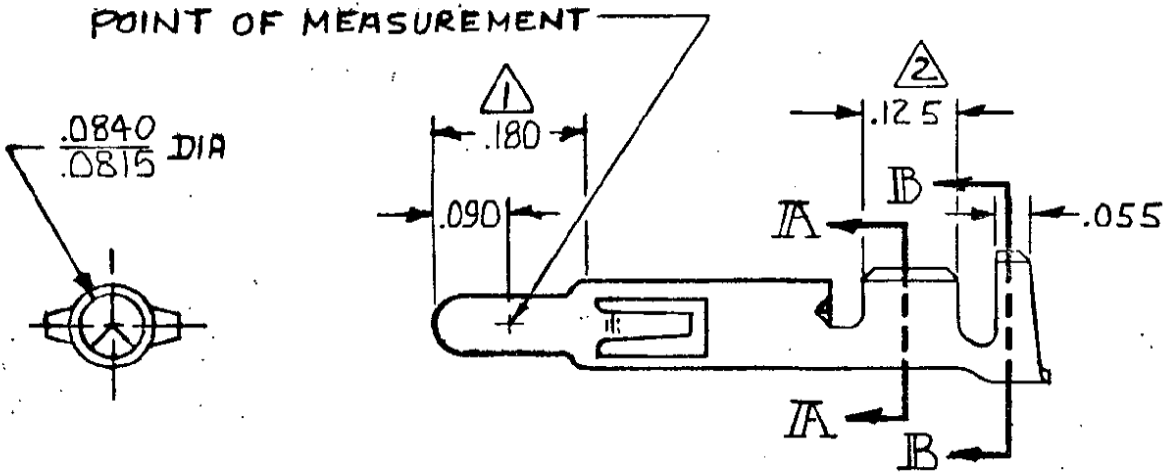


© COPYRIGHT

REVISIONS						
P	F	ZONE	LTR	DESCRIPTION	DATE	APPROVED
✓	✓		R	REVISED PER ECR-12-013323	10AUG12	TM



SECTION A-A



SECTION B-B

- ① PLATED WITH .000030 GOLD, OVER .000050 NICKEL UNDERPLATE
- ② PLATED INTERNALLY WITH .000030 GOLD.
- ③ INSULATION RANGE: .060-.130 DIA

GOLD	①	.012 BRASS	350547-7
		.012 PH. BRZ	350547-6
PRE-TIN		.012 PH. BRZ.	350547-3
GOLD	①/②	.012 BRASS	350547-2
PRE-TIN			350547-1
FINISH		MATERIAL	PART NO

UNLESS OTHERWISE SPECIFIED DIMENSIONS ARE IN INCHES. TOLERANCES ON: DECIMALS ± .015 ANGLES ±	CONTRACT NO	TE Connectivity	
	DR		
	CHK	D.S. Heisle 6/9/81	NAME
WIRE RANGE	APPD	APPD	
INSULATION RANGE	OSGN APPD	OTHER APPD	
③			
	SIZE	CODE IDENT NO	DRAWING NO
	B	00779	350547
	SCALE 4-1		SHEET #

CUSTOMER DRAWING