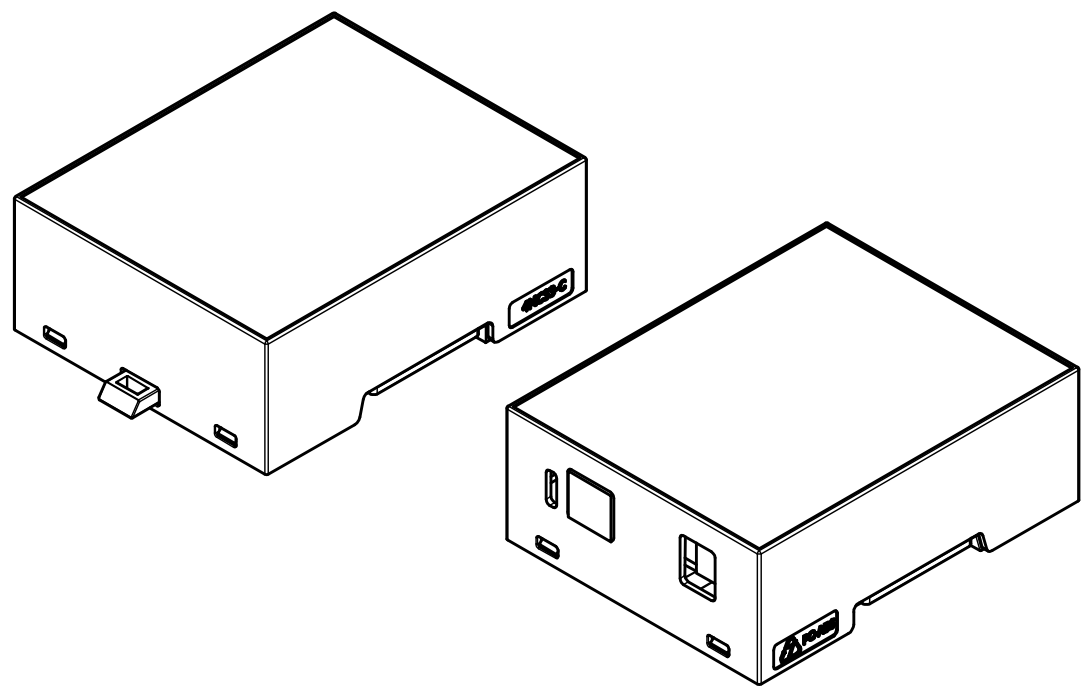
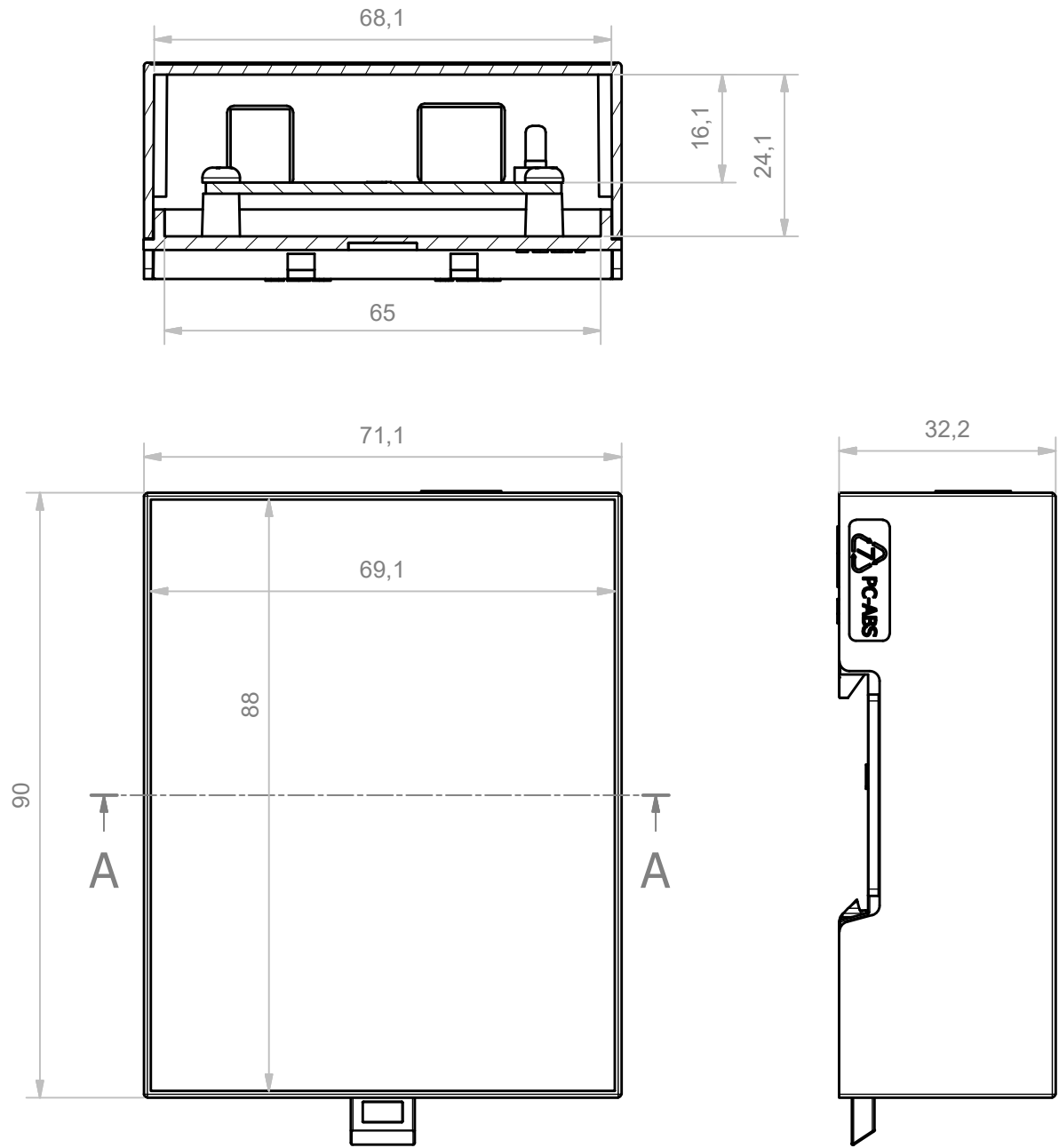


A-A (1:1)



| RIF. | Q.TY | DESCRIPTION                              | CODE       |
|------|------|--|------------|
| 1    | 1    | BASE 4M XT ARDUINO                       | M-05215    |
| 2    | 1    | BODY 4MC33-C XTS FOR ARDUINO UNO AND 101 | M-06457    |
| 3    | 1    | HOOK MODULBOX LONG                       | M-01900    |
| 4    | 3    | SCREW 2.9X6.5 d TRUNC                    | PM10012021 |

RESERVED PROPERTY: The present drawing cannot be reproduced or communicated to 3d parties, even partially, without the authorization of ITALTRONIC Srl. Italtronic reserves to protect its own rights according to the law.

|                   |                                 |                                     |            |                      |
|-------------------|---------------------------------|-------------------------------------|------------|----------------------|
| GENERAL TOLERANCE | <b>UNI EN 22768/1 Media (m)</b> | Drawn:                              | Checked:   | Revision description |
| SHEET NR.         | 1 / 1                           | DRAWING BY                          | Rigato N.  | Fanin F.             |
|                   | Dimension in mm                 | Manual modification are not allowed | Date:      | Replace nr.          |
|                   |                                 |                                     | 07/12/2016 | Part number:         |

Denomination: KIT 4M XTS COMPACT ARDUINO UNO E 101

**ITALTRONIC S.R.L.**  
 VIA AUSTRIA 25/D 35127  
 PADOVA - ITALY  
[www.italtronic.com](http://www.italtronic.com)

Drawing nr. **M-06458-00**