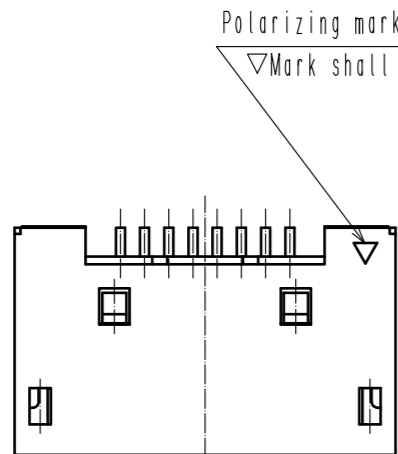
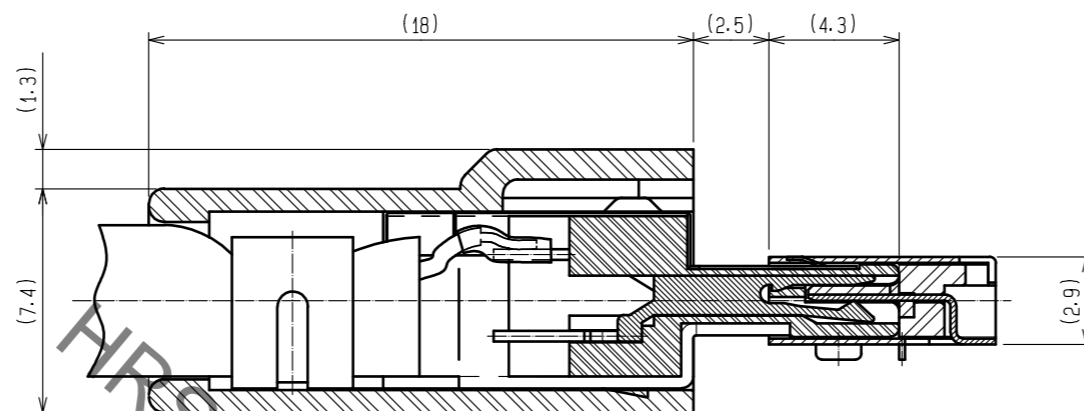


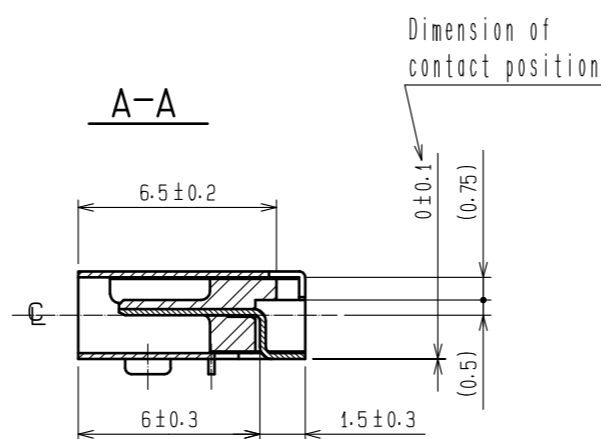
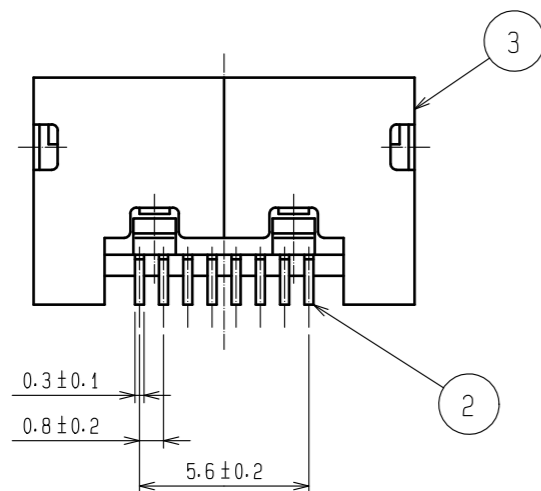
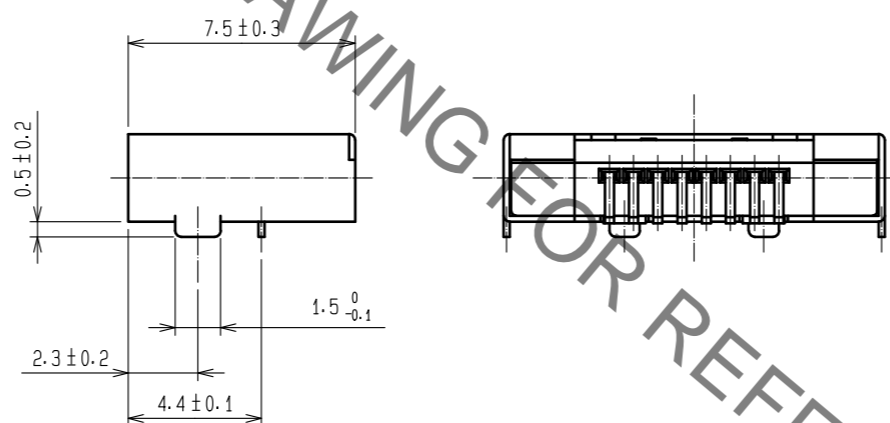
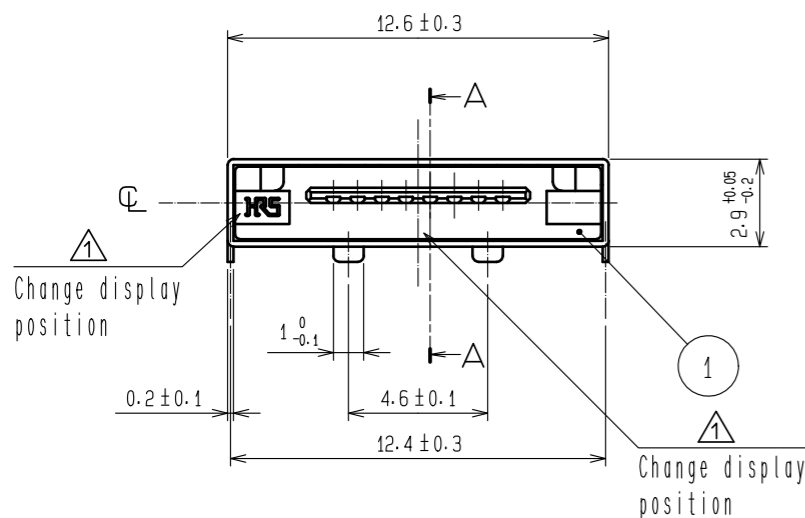
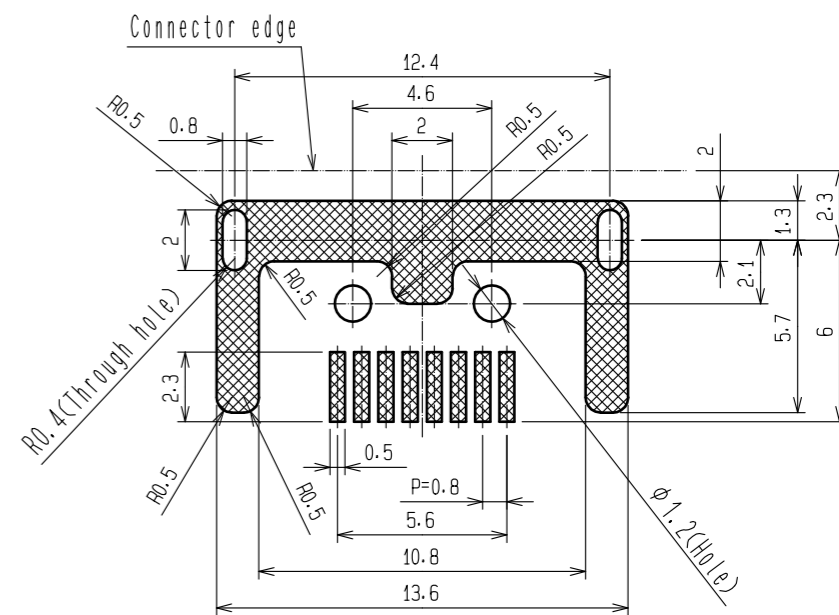
Nov.1.2022 Copyright 2022 HIROSE ELECTRIC CO., LTD. All Rights Reserved.  
In case of consideration for using Automotive equipment / device which demand high reliability, kindly contact our sales window correspondents.



**Mated (4:1)**



**Recommended PC Board Pattern (Mounting side)**



Note 1. Lead coplanarity to be 0.1 max.

2 All dimensions without tolerance are dimensions for reference.

3 Plating  
Contact area : Gold 0.2 μm min.  
Lead area : Gold 0.03 μm min.  
Under plating : Nickel 2 μm min.

4 Plating  
Lead area : Gold 0.03 μm min.  
Under area : Nickel 0.2 μm min.

1	PPS	BLACK, UL94V-0	3	STAINLESS STEEL	4		
NO.	MATERIAL	FINISH, REMARKS	NO.	MATERIAL	FINISH, REMARKS		
UNITS		SCALE	COUNT	DESCRIPTION OF REVISIONS	DESIGNED	CHECKED	DATE
mm		4 : 1	2	DIS-E-00002550	TA. TORIHARA	MN. KENJO	20190920
APPROVED : A0. SUZUKI			20061003	DRAWING NO.			EDC3-045930-02
CHECKED : NF. MIYAZAKI			20061003	PART NO.			3260-8S1(55)
DESIGNED : HS. KIKUCHI			20061003	CODE NO.			CL232-0002-7-55
DRAWN : HS. KIKUCHI			20061003	NO.			
HIROSE ELECTRIC CO., LTD.							1/1