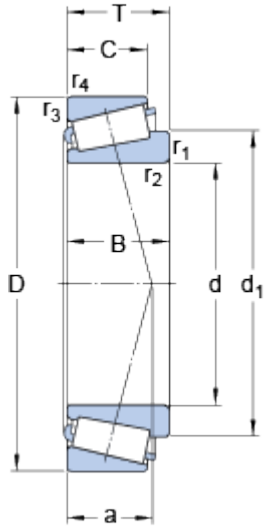


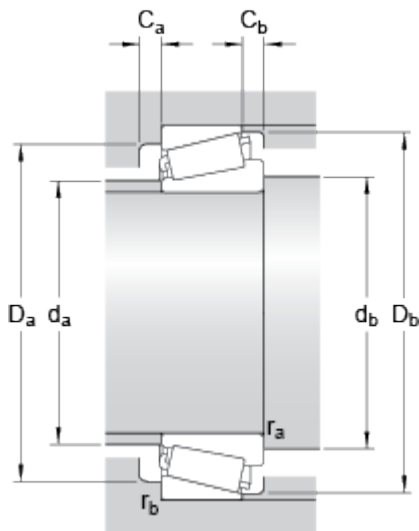
# 32007 X/Q

## Dimensions



d	<b>35</b>	mm
D	<b>62</b>	mm
T	<b>18</b>	mm
d <sub>1</sub>	≈ <b>49.6</b>	mm
B	<b>18</b>	mm
C	<b>14</b>	mm
r <sub>1,2</sub>	min. <b>1</b>	mm
r <sub>3,4</sub>	min. <b>1</b>	mm
a	<b>15</b>	mm

## Abutment dimensions



d <sub>a</sub>	max. <b>40</b>	mm
d <sub>b</sub>	min. <b>41</b>	mm
D <sub>a</sub>	min. <b>54</b>	mm
D <sub>a</sub>	max. <b>56</b>	mm
D <sub>b</sub>	min. <b>59</b>	mm
C <sub>a</sub>	min. <b>4</b>	mm
C <sub>b</sub>	min. <b>4</b>	mm
r <sub>a</sub>	max. <b>1</b>	mm
r <sub>b</sub>	max. <b>1</b>	mm

## Calculation data

---

Basic dynamic load rating	C	<b>42.9</b>	kN
Basic static load rating	C <sub>0</sub>	<b>54</b>	kN
Fatigue load limit	P <sub>u</sub>	<b>5.85</b>	kN
Reference speed		<b>8000</b>	r/min
Limiting speed		<b>10000</b>	r/min
Calculation factor	e	<b>0.46</b>	
Calculation factor	Y	<b>1.3</b>	
Calculation factor	Y <sub>0</sub>	<b>0.7</b>	

## Mass

---

Mass bearing		<b>0.23</b>	kg
--------------	--	-------------	----

---