

Shock-Safe Fuseholder, 5 x 20 mm, Slot/Fingergrip, Rear-Side, IP 40 / IP 67, IEC 60335-1



Fingergrip

250 VAC · 2.5 W/10 A (VDE) · 400 VAC · 16 A (UL/CSA)

**Description**

- Meets the new requirements of IEC 60335-1 Ed. 4.0 for appliances in unattended use (clause 30.2.3). This includes the enhanced requirements of glow wire tests acc. to IEC 60695-2-11 to -13. Order numbers: xxxx.xxxx.15
- Mounting from rear-side

Standards

- IEC 60127-6
- UL 4248-1 / UL 512
- CSA C22.2 no. 39

Approvals

- VDE Certificate Number: 127216
- UL File Number: E39328
- CSA File Number: 38456


Applications

- Industrial electronic
- Household appliances
- Medical equipments

References**Weblinks**

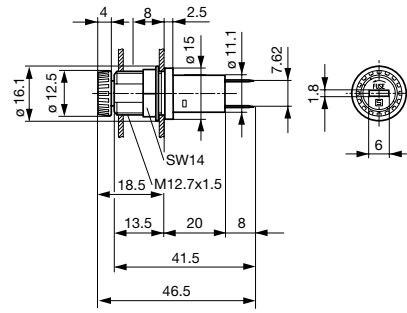
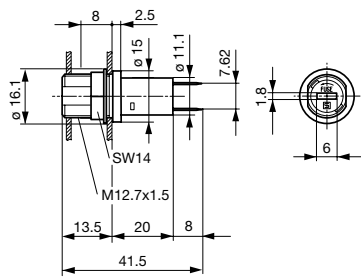
[pdf](#), [html](#), [General Product Information](#), [Approvals](#), [RoHS](#), [CHINA-RoHS](#), [e-Store](#), [SCHURTER-Stock-Check](#), [Distributor-Stock-Check](#)

Technical Data

Shocksafe Category	PC2	Soldering Methods	Iron
Fuse-Link	5 x 20 mm	Solderability	350 °C / 2 sec acc. to IEC 60068-2-20, Test Ta, method 2
Mounting	Panel Mount, Rear-Side	Resistance to Soldering Heat	350 °C / 10 sec acc. to IEC 60068-2-20, Test Tb, method 2
Mounting	Fixing Nut	Contact Resistance	< 5 mΩ at 20 mV
Terminal	Solder or Quick-Connect 4.8 x 0.5 mm	Dielectric Strength	> 3 kV between L-N > 4 kV between L/N-PE (50 Hz; 1 min)
Rated Voltage	250 VAC (VDE), 400 VAC (UL/CSA)	Impulse Withstand Voltage	> 2.5 kV between L-N > 6 kV between L/N-PE
Rated Current	10 A (VDE), 16 A (UL/CSA)	Insulation Resistance	> 10 MΩ between L-N > 100 MΩ between L/N-PE (500 VDC; 1 min)
Rated Power Acceptance IEC	2.5 W / 10 A @ Ta 23 °C Admissible power acceptance at higher ambient temperature see derating curves	Overvoltage Category	I - II acc. to IEC 60664-1
Degree of Protection	IP 40 / IP 67	Pollution Degree	1 - 3 acc. to IEC 60664-1
Protection Class	Suitable for appliances with protection class 1 or 2 acc. to IEC 61140	Resistance to Vibration	acc. to IEC 60068-2-6, test Fc
Admissible Ambient Air Temp.	-40 °C to 85 °C	Admissible Torque on Fixing Nut	max 1.2 Nm
Climatic Category	40/085/21 acc. to IEC 60068-1	Panel Thickness s	max 8 mm
Material: Socket	Thermoplastic, black, UL 94V-0		
Material: Terminals	Tin-Plated Copper Alloy		
Unit Weight (Socket/Cap)	6.01 g		
Storage Conditions	0 °C to 60 °C, max. 70% r.h.		
Product Marking	 Type, Voltage, Power Acc./Current Rating, Approvals		

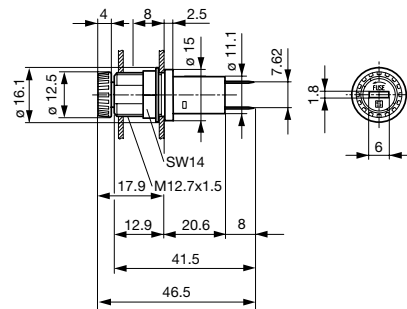
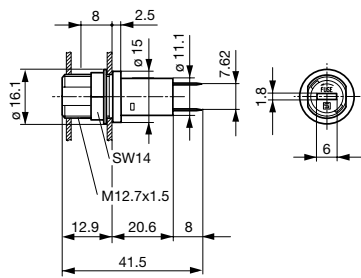
Abmessungen

46.5 mm



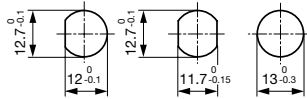
Variants 3101.0020 and 3101.0220

Variants Fingerrip 3101.0025 and 3101.0225



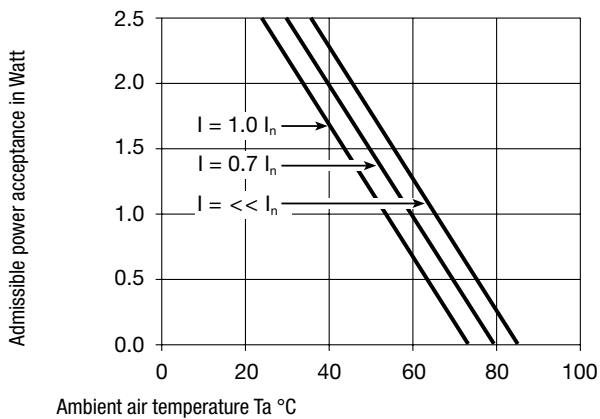
Variants 3101.0120 and 3101.0320

Variants Fingerrip 3101.0125 and 3101.0325



Mounting holes

Derating Curves



Variants

Holder	Cap	Terminal	Degree of Protection	Material	Remark	Order Number
●	Slot Knob	Solder	IP 40	Thermoplastic	-	3101.0020
●	Slot Knob	Solder	IP 40	Spec. Thermoplastic 1	Approvals pending	3101.0020.15
●	Slot Knob	Quick-Connect 4.8 x 0.5 mm	IP 40	Thermoplastic	-	3101.0220
●	Slot Knob	Quick-Connect 4.8 x 0.5 mm	IP 40	Spec. Thermoplastic 1	Approvals pending	3101.0220.15
●	Fingergrip	Solder	IP 40	Thermoplastic	-	3101.0025
●	Fingergrip	Solder	IP 40	Spec. Thermoplastic 1	Approvals pending	3101.0025.15
●	Fingergrip	Quick-Connect 4.8 x 0.5 mm	IP 40	Thermoplastic	-	3101.0225
●	Fingergrip	Quick-Connect 4.8 x 0.5 mm	IP 40	Spec. Thermoplastic 1	Approvals pending	3101.0225.15
●	Slot Knob	Solder	IP 67	Thermoplastic	-	3101.0120
●	Slot Knob	Solder	IP 67	Spec. Thermoplastic 1	Approvals pending	3101.0120.15
●	Slot Knob	Quick-Connect 4.8 x 0.5 mm	IP 67	Thermoplastic	-	3101.0320
●	Slot Knob	Quick-Connect 4.8 x 0.5 mm	IP 67	Spec. Thermoplastic 1	Approvals pending	3101.0320.15
●	Fingergrip	Solder	IP 67	Thermoplastic	-	3101.0125
●	Fingergrip	Solder	IP 67	Spec. Thermoplastic 1	Approvals pending	3101.0125.15
●	Fingergrip	Quick-Connect 4.8 x 0.5 mm	IP 67	Thermoplastic	-	3101.0325
●	Fingergrip	Quick-Connect 4.8 x 0.5 mm	IP 67	Spec. Thermoplastic 1	Approvals pending	3101.0325.15

Spec. thermoplastic meet the new requirements of IEC 60335-1 Ed. 4.0 for appliances in unattended use (clause 30.2.3). This includes the enhanced requirements of glow wire tests acc. to IEC 60695-2-11 to -13.

White and grey colours available on request

Packaging Unit Bulk 186 x 91 x 110 mm (100 pcs.)