

PLEASE CHECK WWW.MOLEX.COM FOR LATEST PART INFORMATION

Part Number: [0307005240](#)
Status: **Active**
Overview: H-DAC 64 Unsealed Connector System
Description: 2.54mm, 3.50mm Pitch, H-DAC 64 Hybrid Header, Dual Row, Right-Angle, 24 Circuits, Polarization Option A, Gray, Tray

Documents:

[3D Model](#) [Packaging Specification PK-30907-261-001 \(PDF\)](#)
[Drawing \(PDF\)](#) [RoHS Certificate of Compliance \(PDF\)](#)
[3D Model \(PDF\)](#)

General

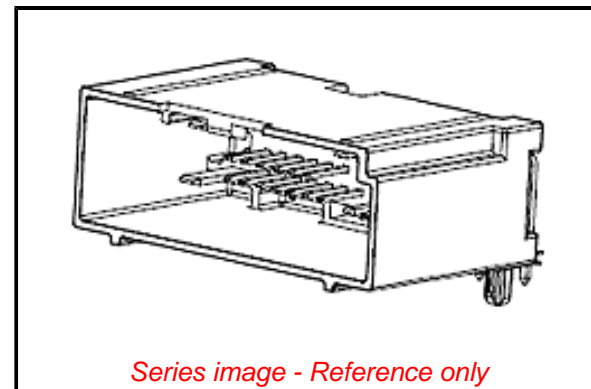
Product Family	PCB Headers
Series	30700
Application	Automotive, Power, Wire-to-Board
Comments	Polarization Option A
Component Type	PCB Header
Overview	H-DAC 64 Unsealed Connector System
Product Name	H-DAC 64
Taxonomy	PCB Headers and Receptacles
UPC	800754871273

Physical

Breakaway	No
Circuits (Loaded)	24
Circuits (maximum)	24
Color - Resin	Gray
Durability (mating cycles max)	10
First Mate / Last Break	No
Glow-Wire Capable	No
Guide to Mating Part	No
Keying to Mating Part	None
Lock to Mating Part	Yes
Material - Metal	Copper
Material - Plating Mating	Tin
Material - Plating Termination	Nickel
Material - Resin	Modified Polystyrene
Net Weight	13.972/g
Number of Rows	2
Orientation	Right Angle
PC Tail Length	3.69mm
PCB Locator	Yes
PCB Retention	Yes
PCB Thickness - Recommended	1.57mm
Packaging Type	Tray
Pitch - Mating Interface	2.54mm
Polarized to Mating Part	Yes
Polarized to PCB	Yes
Shrouded	Fully
Stackable	No
Surface Mount Compatible (SMC)	No
Temperature Range - Operating	-40° to +100°C
Termination Interface: Style	Through Hole

Electrical

Current - Maximum per Contact	7.0A
Voltage - Maximum	500V DC



Series image - Reference only

EU ELV

Compliant

EU RoHS

Compliant

REACH SVHC

Not Contained Per -
D(2022)4187-DC (10
June 2022)

Halogen-Free

Status

Not Relevant

For more information, please visit [Contact US](#)

China ROHS

ELV

RoHS Phthalates

China RoHS

Green Image

Compliant

Not Contained

Search Parts in this Series

[30700 Series](#)

Mates With

H-DAC 64 Housing [307001244](#)

Solder Process Data

Duration at Max. Process Temperature (seconds)	040
Lead-free Process Capability	SMC&WAVE
Max. Cycles at Max. Process Temperature	003
Process Temperature max. C	260

Material Info**Reference - Drawing Numbers**

Packaging Specification	PK-30907-261-001
Sales Drawing	SD-30700-524-001

This document was generated on 01/05/2023

PLEASE CHECK WWW.MOLEX.COM FOR LATEST PART INFORMATION