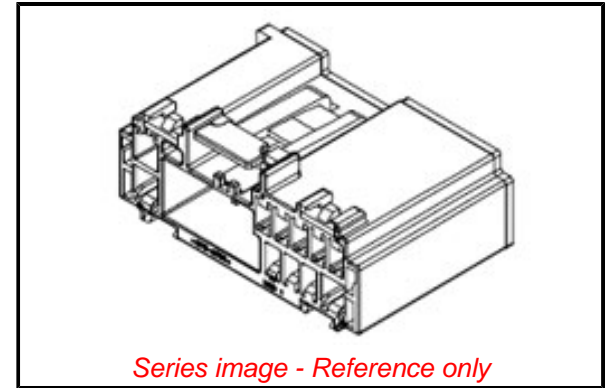


**PLEASE CHECK WWW.MOLEX.COM FOR LATEST PART INFORMATION**

**Part Number:** [0307001244](#)  
**Status:** **Active**  
**Description:** 2.54mm, 3.50mm Pitch, H-DAC 64 Hybrid Female Harness Assembly, 24 Circuits, Polarization Option A without Bridge, Gray

**Documents:**

<a href="#">3D Model</a>	<a href="#">Application Specification AS-30700-000-001 (PDF)</a>
<a href="#">Drawing (PDF)</a>	<a href="#">Packaging Specification PK-30907-417-001 (PDF)</a>
<a href="#">3D Model (PDF)</a>	<a href="#">RoHS Certificate of Compliance (PDF)</a>
<a href="#">Product Specification PS-30968-024-001 (PDF)</a>	



**General**

Product Family	Crimp Housings
Series	<a href="#">30700</a>
Application	Automotive, Power, Wire-to-Board, Wire-to-Wire
Comments	Polarization Option A
Polarization	A
Product Name	H-DAC 64
Taxonomy	Connector Housings
UPC	822348688838

**Physical**

Circuits (maximum)	24
Color - Resin	Gray
Gender	Receptacle
Glow-Wire Capable	No
Lock to Mating Part	Yes
Material - Resin	High Performance Thermoplastic
Net Weight	13.050/g
Number of Rows	2
Packaging Type	Bag
Panel Mount	No
Pitch - Mating Interface	2.54mm, 3.50mm
Polarized to Mating Part	Yes
Stackable	No
Temperature Range - Operating	-40° to +100°C

**Electrical**

Current - Maximum per Contact	7.0A
-------------------------------	------

**Solder Process Data**

Lead-freeProcess Capability	N/A
-----------------------------	-----

**Material Info**

**Reference - Drawing Numbers**

Application Specification	AS-30700-000-001
Packaging Specification	PK-30907-417-001
Product Specification	PS-30968-024-001
Sales Drawing	SD-30700-124-001

**EU ELV**

**Compliant**

**EU RoHS**

**Compliant**

**REACH SVHC**

Not Contained Per -  
D(2022)4187-DC (10  
June 2022)

**Halogen-Free**

**Status**

**Low-Halogen**

For more information, please visit [Contact US](#)

China ROHS

ELV

RoHS Phthalates

**China RoHS**

Green Image

Compliant

Not Contained

**Search Parts in this Series**

[30700](#) Series

**Mates With**

H-DAC 64 Header [307004240](#) , [307004244](#)  
 , [307005240](#) , [307005244](#) , Crimp Housing  
[309681247](#)

**Use With**

Use [33012](#) MX150 Female Terminal for  
1.50mm system.<br><br>Contact Molex  
for terminal information for 0.64mm and  
2.80mm systems.