

02


2830 ... TF1C...

## Panel Mount Connectors Quicklock



Quicklock flange chassis plug, IP67, size 28, straight version, with metal housing, screw clamps and protecting cap (IP65)

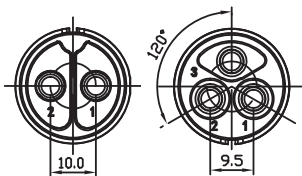
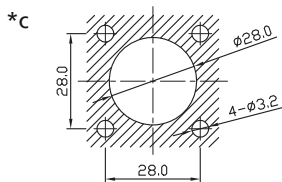
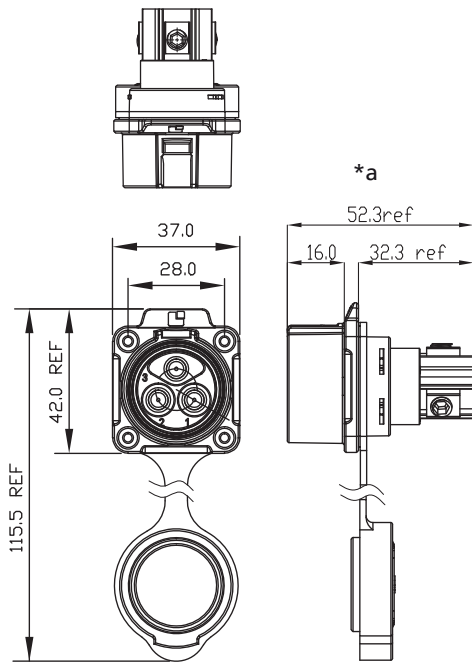
---

Approvals: 

---

02

2830 ... TF1C...



2830 02  
TF1CR

2830 03  
TF1CR

\*a 2 and 3 pole versions with screw clamps

\*c port

#### Environmental conditions

Temperature range -40 °C/+80 °C

#### Materials

Insulating body	PBT, V-0 according to UL94
Contact pin	CuZn, gold-plated
Housing	Zn alloy, chrome-plated
Cap	SI

#### Mechanical data

Protection class IP67 (protecting cap IP65)<sup>1</sup>

<sup>1</sup> only in locked condition with an appropriate counterpart

#### Connectable conductors for screw clamp

Section 2.5–16.0 mm<sup>2</sup>/AWG 14–6

#### Electrical data (at T<sub>amb</sub> 20 °C)

Rated current	50 A (2 poles) 43 A (3 poles)
Rated voltage	500 V AC
Rated impulse voltage	≤ 2500 V
Creepage distance	≥ 2 mm
Clearance	≥ 2 mm
Insulation resistance	> 500 MΩ

#### Associated products

Counterparts  
↗ 2840 ... T20C... T

02

2830 ... TF1C...

Designation	Pole Number	PU (Pieces)	MDQ (Pieces)
2830 02 TF1CR	2	4	20
2830 03 TF1CR	3	4	20

**Packaging:**

in individual plastic bags, in a cardboard box