

02


2820 ... TF1C...

## Panel Mount Connectors Quicklock



Quicklock flange chassis socket, IP67, size 28, straight version, with metal housing, screw clamps (8-pole version with solder terminals) and protecting cap (IP65)

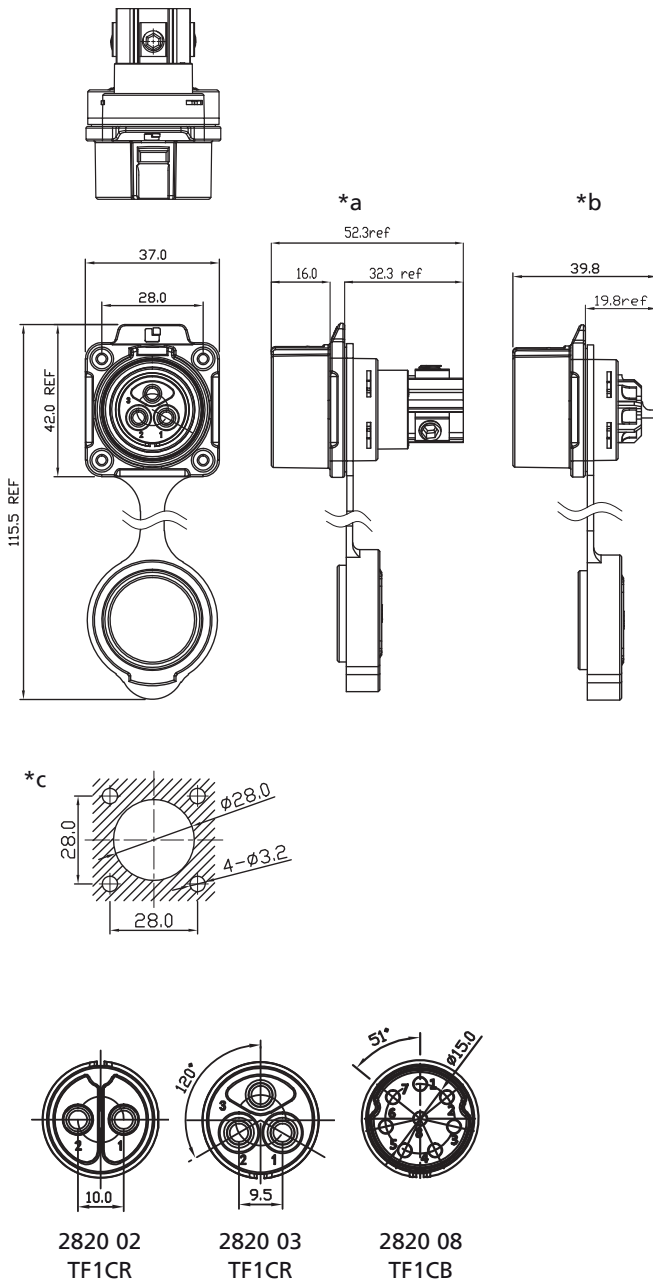
---

Approvals: 

---

02

2820 ... TF1C...



- \*a 2 and 3 pole versions with screw clamps
- \*b 8 pole version with solder contacts
- \*c port

#### Environmental conditions

Temperature range -40 °C/+80 °C

#### Materials

Insulating body	PBT, V-0 according to UL94
Contact bush	CuZn, gold-plated
Housing	Zn alloy, chrome-plated
Cap	SI

#### Mechanical data

Mating cycles	1700
Insertion force	≤ 130 N
Withdrawal force	≤ 120 N
Protection class	IP67 (protecting cap IP65) <sup>1</sup>

<sup>1</sup> only in locked condition with an appropriate counterpart

#### Connectable conductors for screw clamp

Section 2.5–16.0 mm<sup>2</sup>/AWG 14–6 (2–3 poles)


#### Connectable conductors for solder area

Section 1.5–4.0 mm<sup>2</sup>/AWG 16–12 (8 poles)

#### Electrical data (at T<sub>amb</sub> 20 °C)

Contact resistance	≤ 5 mΩ
Rated current	50 A (2 poles) 43 A (3 poles) 17 A (8 poles)
Rated voltage	500 V AC
Rated impulse voltage	≤ 2500 V
Creepage distance	≥ 2 mm
Clearance	≥ 2 mm
Insulation resistance	> 500 MΩ

#### Associated products

Counterparts  
 2850 ... T20C... T

02

2820 ... TF1C...

Designation	Pole Number	PU (Pieces)	MDQ (Pieces)
2820 02 TF1CR	2	4	20
2820 03 TF1CR	3	4	20
2820 08 TF1CB	8	4	20

**Packaging:**

in individual plastic bags, in a cardboard box